



# Washing Machine

---

User manual

P156\*



---

**SAMSUNG**



# Contents

---

<b>Safety information</b>	<b>4</b>
What you need to know about the safety instructions	4
Important safety symbols	4
Important safety precautions	5
<b>Installation</b>	<b>14</b>
What's included	14
Installation requirements	16
Step-by-step installation	18
<b>Before you start</b>	<b>26</b>
Initial settings	26
Laundry guidelines	26
Detergent drawer guidelines	29
<b>Operations</b>	<b>32</b>
Control panel	32
Simple steps to start	34
Cycle overview	35
Special features	38
Settings	40
SmartThings	42
<b>Maintenance</b>	<b>46</b>
Eco drum clean <sup>+</sup> 	46
Smart Check 	47
Emergency drain	48
Cleaning	49
<b>Maintenance</b>	<b>53</b>
Recovery from freezing	53
Care against an extended time of disuse	53
<b>Troubleshooting</b>	<b>54</b>
Checkpoints	54
Information codes	59



---

<b>Specifications</b>	<b>64</b>
Fabric care chart	64
Protecting the environment	65
Specification sheet	66
Information of main washing programmes	69



# Safety information

---

Congratulations on your new Samsung washing machine. This manual contains important information on the installation, use and care of your appliance. Please take some time to read this manual to take full advantage of your washing machines many features and benefits.

## What you need to know about the safety instructions

---

Please read this manual thoroughly to ensure that you know how to safely and efficiently operate the extensive features and functions of your new appliance. Please store the manual in a safe location close to the appliance for future reference. Use this appliance only for its intended purpose as described in this instruction manual.

Warnings and Important Safety Instructions in this manual do not cover all possible conditions and situations that may occur. It is your responsibility to use common sense, caution and care when installing, maintaining and operating your washing machine. Because the following operating instructions cover various models, the characteristics of your washing machine may differ slightly from those described in this manual and not all warning signs may be applicable. If you have any questions or concerns, contact your nearest service centre or find help and information online at [www.samsung.com](http://www.samsung.com).

## Important safety symbols

---

What the icons and signs in this user manual mean:

 **WARNING**

Hazards or unsafe practices that may result in **severe personal injury, death and/or property damage**.

 **CAUTION**

Hazards or unsafe practices that may result in **personal injury and/or property damage**.

 **NOTE**

Indicates that a risk of personal injury or material damage exists.



These warning signs are here to prevent injury to yourself and others.

Please follow them explicitly.

After reading this manual, store it in a safe place for future reference.

Read all instructions before using the appliance.

As with any equipment that uses electricity and moving parts, potential hazards exist. To safely operate this appliance, familiarise yourself with its operation and exercise care when using it.

## Important safety precautions

### **WARNING**

To reduce the risk of fire, electric shock, or injury to persons when using your appliance, follow basic precautions, including the following:

- 1.** This appliance is not to be used by persons (including children) with reduced physical, sensory or mental capabilities, or lack of experience and knowledge, unless they have been given supervision or instruction concerning use of the appliance by a person responsible for their safety.
- 2. For use in Europe:** This appliance can be used by children aged from 8 years and above and persons with reduced physical, sensory or mental capabilities or lack of experience and knowledge if they have been given supervision or instruction concerning use of the appliance in a safe way and understand the hazards involved. Children shall not play with the appliance. Cleaning and user maintenance shall not be made by children without supervision.
- 3.** Children should be supervised to ensure that they do not play with the appliance.
- 4.** If the supply cord is damaged, it must be replaced by the manufacturer, its service agent or similarly qualified persons in order to avoid a hazard.



# Safety information

---

5. Use the new hose-sets supplied with the appliance and do not reuse the old hose-sets.
6. For appliances with ventilation openings in the base, the carpet must not obstruct any openings.
7. **For use in Europe:** Children of less than 3 years should be kept away unless continuously supervised.

## CAUTION

8. In order to avoid a hazard due to inadvertent resetting of the thermal cut-out, this appliance must not be supplied through an external switching device, such as a timer, or connected to a circuit that is regularly switched on and off by the utility.

## Critical installation warnings

---

### WARNING

The installation of this appliance must be performed by a qualified technician or service company.

- Failure to do so may result in electric shock, fire, an explosion, problems with the product, or injury.

The appliance is heavy, therefore take care when lifting it.

Plug the power cord into a wall socket that meets local electrical specifications. Use the socket for this appliance only, and do not use an extension cord.

- Sharing a wall socket with other appliances using a power strip or extending the power cord may result in electric shock or fire.
- Ensure that the power voltage, frequency, and current are the same as those of the product specifications. Failure to do so may result in electric shock or fire. Plug the power plug into the wall socket firmly.

Remove all foreign substances such as dust or water from the power plug terminals and contact points using a dry cloth on a regular basis.

- Unplug the power plug and clean it with a dry cloth.
- Failure to do so may result in electric shock or fire.



Plug the power plug into the wall socket so that the cord is running towards the floor.

- If you plug the power plug into the socket in the opposite direction, the electric wires within the cable may be damaged and this may result in electric shock or fire.

Keep all packaging materials out of the reach of children as these may be dangerous.

- If a child places a bag over its head, it may suffocate.  
When the appliance, power plug or power cord is damaged, contact your nearest service centre.

This appliance must be properly grounded.

Do not ground the appliance to a gas pipe, plastic water pipe, or telephone line.

- This may result in electric shock, fire, an explosion, or problems with the product.
- Never plug the power cord into a socket that is not grounded correctly and make sure that it is in accordance with local and national regulations.

Do not install this appliance near a heater or any inflammable material.

Do not install this appliance in a humid, oily or dusty location, or in a location exposed to direct sunlight or water (rain drops).

Do not install this appliance in a location exposed to low temperatures.

- Frost may cause the tubes to burst.

Do not install this appliance in a location where gas may leak.

- This may result in electric shock or fire.

Do not use an electric transformer.

- This may result in electric shock or fire.

Do not use a damaged power plug, damaged power cord, or loose wall socket.

- This may result in electric shock or fire.

Do not pull or excessively bend the power cord.

Do not twist or tie the power cord.

Do not hook the power cord over a metal object, place a heavy object on the power cord, insert the power cord between objects, or push the power cord into the space behind the appliance.

- This may result in electric shock or fire.

Do not pull the power cord when unplugging the power plug.

- Unplug the power plug by holding the plug.
- Failure to do so may result in electric shock or fire.

This appliance should be positioned so that the power plug, the water supply taps, and the drain pipes are accessible.



# Safety information

---

## Installation cautions

---

### CAUTION

This appliance should be positioned in such a way that the power plug is easily accessible.

- Failure to do so may result in electric shock or fire due to electric leakage.

Install your appliance on a solid, level floor that can support its weight.

- Failure to do so may result in abnormal vibrations, movement, noise, or problems with the product.

## Critical usage warnings

---

### WARNING

If the appliance is flooded, turn off the water & power supplies immediately and contact your nearest service centre.

- Do not touch the power plug with wet hands.
- Failure to do so may result in electric shock.

If the appliance generates a strange noise, a burning smell, or smoke, unplug the power plug immediately and contact your nearest service centre.

- Failure to do so may result in electric shock or fire.

In the event of a gas leak (such as propane gas, LP gas, etc.), ventilate immediately without touching the power plug. Do not touch the appliance or power cord.

- Do not use a ventilating fan.
- A spark may result in an explosion or fire.

Do not let children play in or on the washing machine. In addition, when disposing of the appliance, remove the washing machine door lever.

- If trapped inside the product, children may suffocate to death.

Make sure to remove the packaging (sponge, styrofoam) attached to the bottom of the washing machine before using it.

Do not wash items contaminated with gasoline, kerosene, benzene, paint thinner, alcohol or other inflammable or explosive substances.

- This may result in electric shock, fire, or an explosion.





---

Do not open the washing machine door by force while it is operating (high-temperature washing/drying/spinning).

- Water flowing out of the washing machine may result in burns or cause the floor to be slippery. This may result in injury.
- Opening the door by force may result in damage to the product or injury.

Do not insert your hand under the washing machine while an operation is in progress.

- This may result in injury.

Do not touch the power plug with wet hands.

- This may result in electric shock.

Do not turn the appliance off by unplugging the power plug while an operation is in progress.

- Plugging the power plug into the wall socket again may cause a spark and result in electric shock or fire.

Do not let children or the infirm use this washing machine without proper supervision. Do not let children climb in or onto the appliance.

- This may result in electric shock, burns or injury.

Do not insert your hand or a metal object under the washing machine while it is operating.

- This may result in injury.

Do not unplug the appliance by pulling the power cord. Always grip the plug firmly and pull it straight out of the outlet.

- Damage to the power cord may cause a short-circuit, fire and/or electric shock.

Do not attempt to repair, disassemble, or modify the appliance yourself.

- Do not use a fuse (such as copper, steel wire, etc.) other than a standard fuse.
- When the appliance needs to be repaired or reinstalled, contact your nearest service centre.
- Failure to do so may result in electric shock, fire, problems with the product, or injury.

If the water supply hose comes loose from the water tap and floods the appliance, unplug the power plug.

- Failure to do so may result in electric shock or fire.

Unplug the power plug when the appliance is not being used for long periods of time or during a thunder or lightning storm.

- Failure to do so may result in electric shock or fire.

If any foreign substance enters into the appliance, unplug the power plug and contact your nearest Samsung Customer Service.

- This may result in electric shock or fire.

Do not let children (or pets) play in or on your washing machine. The washing machine door does not open easily from the inside and children may be seriously injured if trapped inside.



# Safety information

---

## Usage cautions

---

### CAUTION

When the washing machine is contaminated by a foreign substance such as detergent, dirt, food waste, etc., unplug the power plug and clean the washing machine using a damp, soft cloth.

- Failure to do so may result in discolouration, deformation, damage, or rust.

The front glass may be broken by a strong impact. Take care when using the washing machine.

- If the glass is broken, it may result in injury.

After a water supply failure or when reconnecting the water supply hose, open the water tap slowly.

Open the water tap slowly after a long period of non-use.

- The air pressure in the water supply hose or the water pipe may damage a product part or result in a water leak.

If a draining error occurs during an operation, check if there is a draining problem.

- If the washing machine is used when it is flooded because of a draining problem, it may result in electric shock or fire.

Insert the laundry into the washing machine completely so that the laundry does not get caught in the door.

- If laundry gets caught in the door, it may result in damage to the laundry or the washing machine, or result in a water leak.

Turn the water supply off when the washing machine is not being used.

Ensure that the screws on the water supply hose connector are properly tightened.

- Failure to do so may result in property damage or injury.

Ensure that the rubber seal and front door glass are not contaminated by a foreign substance (e.g. waste, thread, hair, etc.).

- If a foreign substance is caught in the door or the door is not completely closed, it may cause a water leak.

Open the water tap and check if the water supply hose connector is firmly tightened and that there is no water leak before using the product.

- If the screws on the water supply hose connector are loose, it may result in a water leak.

The product you have purchased is designed for domestic use only.



---

Using the product for business purposes qualifies as a product misuse. In this case, the product will not be covered by the standard warranty provided by Samsung and no responsibility can be attributed to Samsung for malfunctions or damages resulting from such misuse.

Do not stand on the appliance or place objects (such as laundry, lighted candles, lighted cigarettes, dishes, chemicals, metal objects, etc.) on the appliance.

- This may result in electric shock, fire, problems with the product, or injury.

Do not spray volatile material such as insecticide onto the surface of the appliance.

- As well as being harmful to humans, this may result in electric shock, fire or problems with the product.

Do not place objects that generate electromagnetic fields near the washing machine.

- This may result in injury due to a malfunction.

Water drained during a high-temperature wash or drying cycle is hot. Do not touch the water.

- This may result in burns or injury.

Do not wash, spin, or dry water-proof seats, mats, or clothing (\*) unless your appliance has a special cycle for washing these items.

(\*): Woollen bedding, rain covers, fishing vests, ski pants, sleeping bags, diaper covers, sweat suits, and bicycle, motor cycle and car covers, etc.

- Do not wash thick or hard mats even if the washing machine mark is on the care label. This may result in injury or damage to the washing machine, walls, floor, or clothing due to abnormal vibrations.
- Do not wash throw rugs or doormats with rubber backing. The rubber backing may come off and stick to inside the drum, and this may result in malfunction such as a drainage error.

Do not operate the washing machine when the detergent drawer is removed.

- This may result in electric shock or injury due to a water leak.

Do not touch the insides of the drum during or just after drying as it is hot.

- This may result in burns.

Do not insert your hand into the detergent drawer.

- This may result in injury as your hand may be caught by the detergent input device.
- The liquid detergent guide (applicable models only) is not used for powder detergent. Remove the guide when using powder detergent.

Do not place any objects (such as shoes, food waste, animals) other than laundry into the washing machine.

- This may result in damage to the washing machine, or injury and death in the case of pets due to the abnormal vibrations.



# Safety information

---

Do not press the buttons using sharp objects such as pins, knives, fingernails, etc.

- This may result in electric shock or injury.

Do not wash laundry contaminated by oils, creams or lotions usually found in skincare shops or massage clinics.

- This may cause the rubber seal to become deformed and result in a water leak.

Do not leave metal objects such as safety pins, hair pins or bleach in the drum for long periods of time.

- This may cause the drum to rust.
- If rust starts appearing on the surface of the drum, apply a (neutral) cleansing agent to the surface and use a sponge to clean it. Never use a metal brush.

Do not use dry cleaning detergent directly and do not wash, rinse, or spin laundry contaminated by dry cleaning detergent.

- This may result in spontaneous combustion or ignition due to the heat from the oxidation of the oil.

Do not use water from water cooling/heating devices.

- This may result in problems with the washing machine.

Do not use natural hand-washing soap for the washing machine.

- If it hardens and accumulates inside the washing machine, it may result in problems with the product, discolouration, rust, or bad odours.

Place socks and brassieres in a washing net and wash them with the other laundry.

Do not wash large laundry items such as bedding in the washing net.

- Failure to do so may result in injury due to abnormal vibrations.

Do not use hardened detergent.

- If it accumulates inside the washing machine, it may result in a water leak.

Make sure that the pockets of all the clothing items to be washed are empty.

- Hard, sharp objects such as coins, safety pins, nails, screws, or stones can cause extensive damage to the appliance.

Do not wash clothing with large buckles, buttons or other heavy metal objects.

Sort the laundry by colour on the basis of its colorfastness and select the recommended cycle, water temperature and additional functions.

- This may result in discolouration or fabric damage.

Take care that children's fingers are not caught in the door when you close it.

- Failure to do so may result in injury.



---

## Critical cleaning warnings

---

### **WARNING**

Do not clean the appliance by spraying water directly onto it.

Do not use the a strong acidic cleaning agent.

Do not use benzene, thinner or alcohol to clean the appliance.

- This may result in discolouration, deformation, damage, electric shock or fire.

Before cleaning or performing maintenance, unplug the appliance from the wall socket.

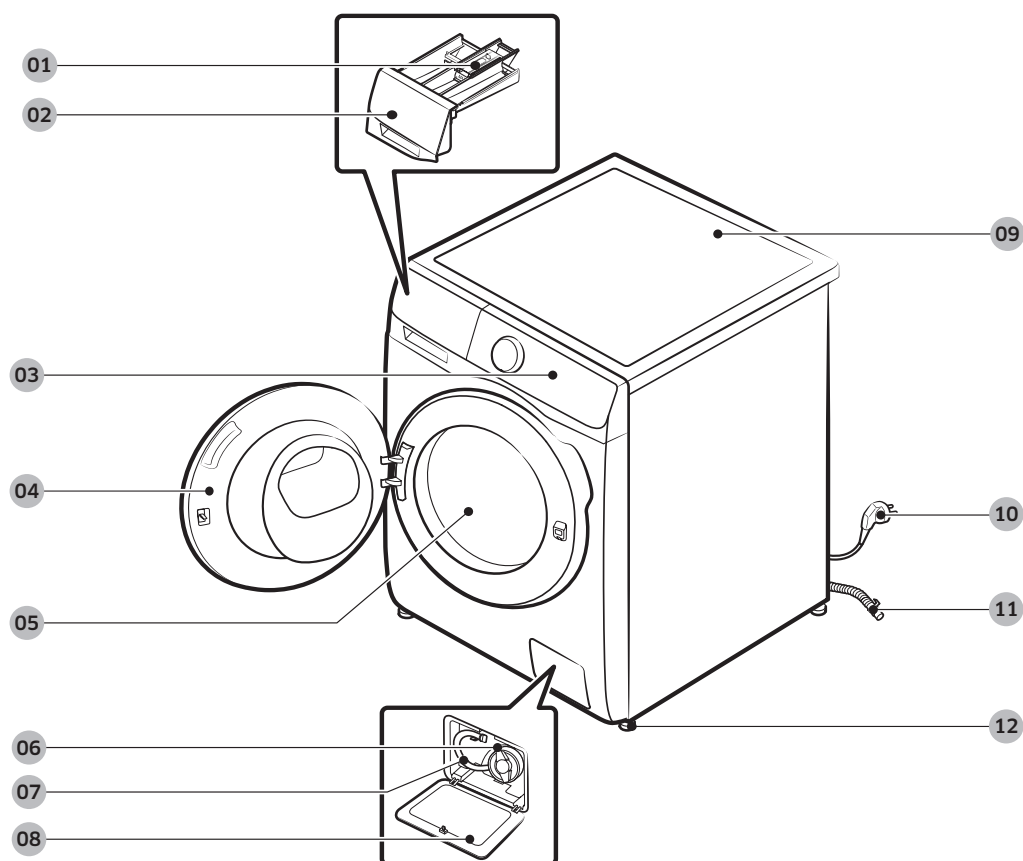
- Failure to do so may result in electric shock or fire.

# Installation

Follow these instructions carefully to ensure proper installation of the washing machine and to prevent accidents when doing laundry.

## What's included

Make sure all the parts are included in the product package. If you have a problem with the washing machine or the parts, contact a local Samsung customer centre or the retailer.



**01** Release lever

**02** Detergent drawer

**03** Control panel

**04** Door

**05** Drum

**06** Pump filter

**07** Emergency drain tube

**08** Filter cover

**09** Worktop

**10** Power plug

**11** Drain hose

**12** Levelling feet

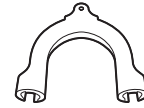
\* The design of the drawer and/or the lever differs with the model.



Spanner



Bolt caps



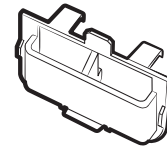
Hose guide



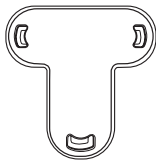
Cold water hose



Hot water hose



Liquid detergent guide  
(applicable models only)



Cap Fixer

**NOTE**

- Bolt caps : The provided number (3 to 6) of bolt caps depends on the model.
- Hot water hose: Applicable models only.
- Liquid detergent guide: Applicable models only.



# Installation

## Installation requirements

### Electrical supply and grounding

- AC 220-240 V / 50 Hz fuse or circuit breaker is required
- Use an individual branch circuit specific to the washing machine

To ensure proper grounding, the washing machine comes with a power cord featuring a three-prong grounding plug for use in a properly installed and grounded outlet. Check with a qualified electrician or serviceperson if you are not sure about the grounding.

Do not modify the provided plug. If it does not fit the outlet, call a qualified electrician to install a proper outlet.

#### **WARNING**

- Do NOT use an extension cord.
- Use only the power cord that comes with the washing machine.
- Do NOT connect the ground wire to plastic plumbing, gas lines, or hot water pipes.
- Improperly connected grounding conductors may cause electric shock.

### Water supply

A proper water pressure for this washing machine is between 50 kPa and 800 kPa. Water pressure less than 50 kPa may cause the water valve not to close completely. Or, it may take longer to fill the drum, causing the washing machine to turn off. Water taps must be within 120 cm from the rear of the washing machine so that the provided inlet hoses reach the washing machine.

To reduce the risk of leaks:

- Make sure water taps are easily accessible.
- Turn off the taps when the washing machine is not in use.
- Check for any leaks at the water inlet hose fittings on a regular basis.

#### **CAUTION**

Before using the washing machine for the first time, check all connections at the water valve and taps for any leaks.

### Drain

Samsung recommends a standpipe in height of 60-90 cm. The drain hose must be connected through the hose clip to the standpipe, and the standpipe must fully cover the drain hose.





## Flooring

For best performance, the washing machine must be installed on a solid floor. Wood floors may need to be reinforced to minimize vibration and/or unbalanced loads. Carpeting and soft tile surfaces are not a good resistance to vibrations and may cause the washing machine to move slightly during the spin cycle.

### CAUTION

Do NOT install the washing machine on a platform or a poorly supported structure.

## Water temperature

Do not install the washing machine in areas where water may freeze as the washing machine always retains some water in its water valves, pumps, and/or hoses. Frozen water left in the connection parts may cause damage to belts, the pump, and other components of the washing machine.

## Alcove or closet installation

Minimum clearance for stable operation:

Sides	25 mm
Top	25 mm
Rear	50 mm
Front	550 mm

If both the washing machine and a dryer are installed in the same location, the front of the alcove or closet must have at least a 550 mm unobstructed air opening. Your washing machine alone does not require a specific air opening.



# Installation

---

## Step-by-step installation

---

### STEP 1 Select a location

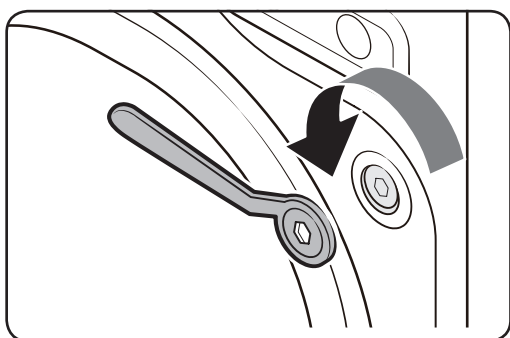
---

Location requirements:

- Solid, level surface without carpeting or flooring that may obstruct ventilation
- Away from direct sunlight
- Adequate room for ventilation and wiring
- The ambient temperature is always higher than the freezing point (0 °C)
- Away from a heat source

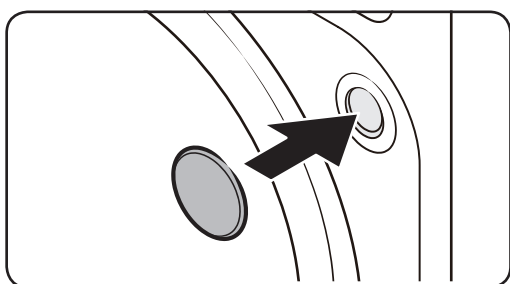
### STEP 2 Remove the shipping bolts

---



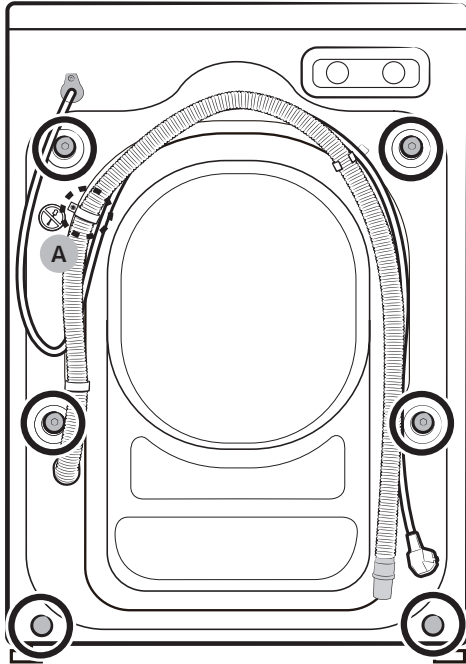
Unpack the product package and remove all shipping bolts.

1. Loosen all shipping bolts on the rear of the machine using the supplied spanner.



2. Fill the holes with the supplied plastic bolt caps.  
Keep the shipping bolts for future use.





3. Close all plastic bolt caps on the rear of the washing machine.

**⚠ CAUTION**

Do not remove the **screw (A)** that fixes the hose clip.

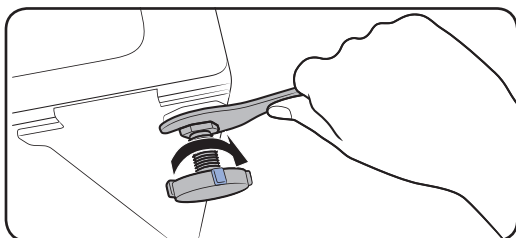
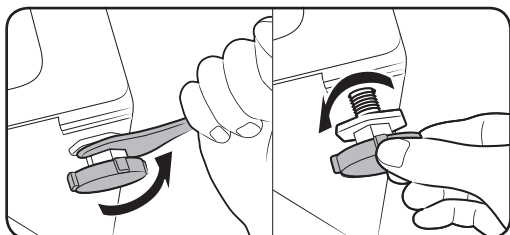
**⚠ WARNING**

Packaging materials can be dangerous to children. Dispose all packaging material (plastic bags, polystyrene, etc.) out of children's reach.



# Installation

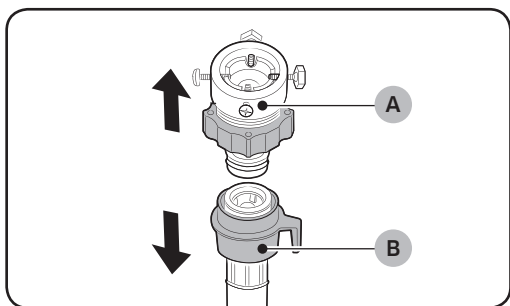
## STEP 3 Adjust the levelling feet



1. Gently slide the washing machine into position. Excessive force may damage the levelling feet.
2. Level the washing machine by manually adjusting the levelling feet.
3. When levelling is complete, tighten the nuts using the spanner.

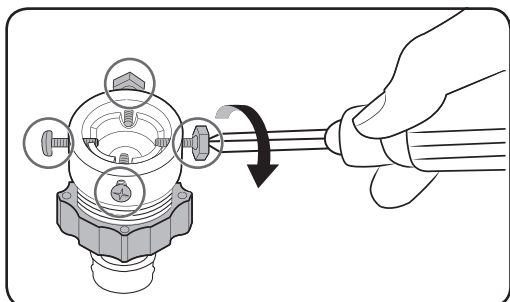
## STEP 4 Connect the water hose

The provided hose adaptor may differ with the model. This step guides you through connecting the connector-type adaptor. If you are provided with the screw-type adaptor, go to 7.



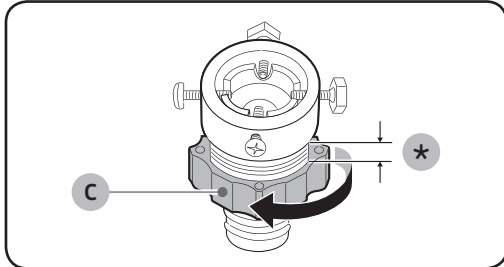
### Connect the water hose to the water tap.

1. Remove the adaptor (A) from the water hose (B).

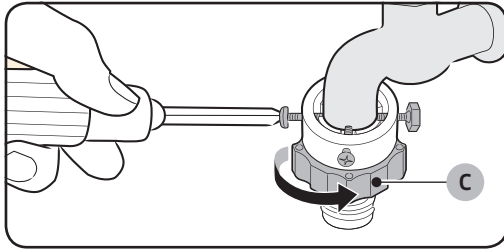


2. Use a Philips screwdriver to loosen four screws on the adaptor.

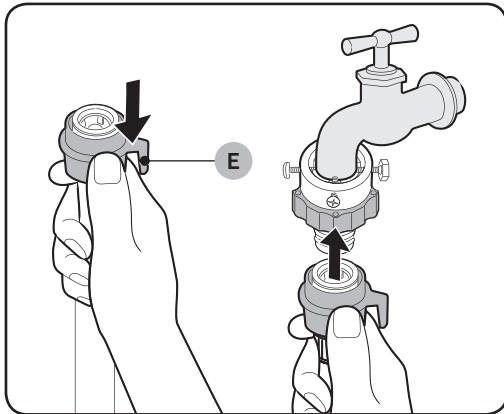




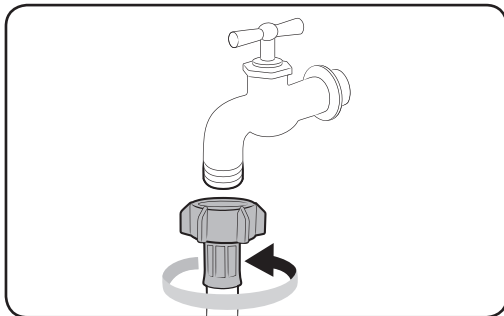
3. Hold the adaptor and turn part (C) in the arrow direction to loosen it by 5 mm (\*).



4. Insert the adaptor into the water tap, and tighten the screws while lifting up the adaptor.
5. Turn part (C) in the arrow direction to tighten it.



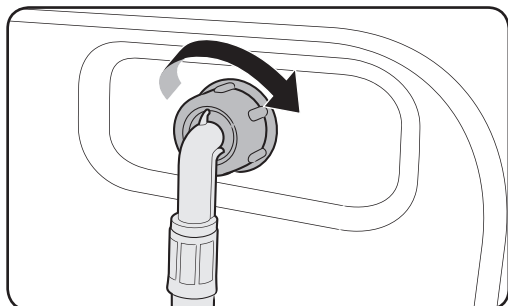
6. While holding down part (E), connect the water hose to the adaptor. Then, release part (E). The hose fits into the adaptor with a clicking sound.



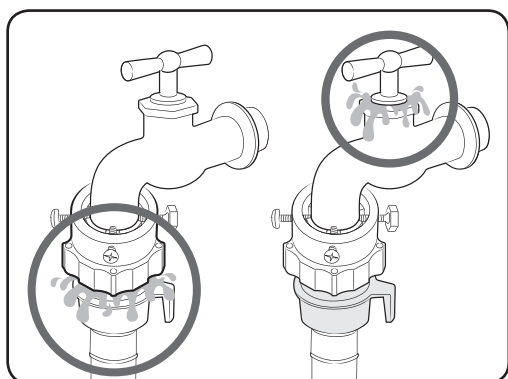
7. If you are using a screw type of water tap, use the provided screw-type adaptor to connect to the water tap as shown.



# Installation



8. Connect the other end of the water hose to the inlet valve on the back of the washing machine. Turn the hose clockwise to tighten.



9. Open the water tap and check if there are any leaks around the connection areas. If there are water leaks, repeat the steps above.

## **WARNING**

If there is a water leak, stop operating the washing machine and disconnect from the electrical supply. Then, contact a local Samsung service centre. Otherwise, this may cause electric shock.

## **CAUTION**

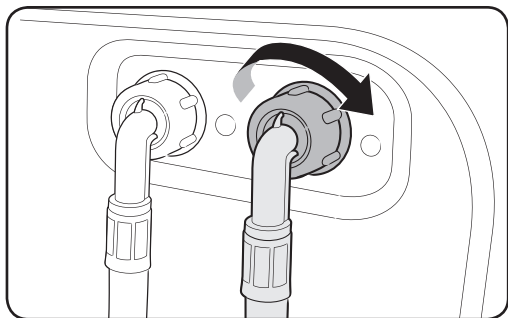
Do not stretch the water hose by force. If the hose is too short, replace the hose with a longer, high-pressure hose.

## **NOTE**

- After connecting the water hose to the adaptor, check if it is connected properly by pulling the water hose downwards.
- Use a popular type of water taps. If the tap is square-shaped or too big, remove the spacer ring before inserting the tap into the adaptor.

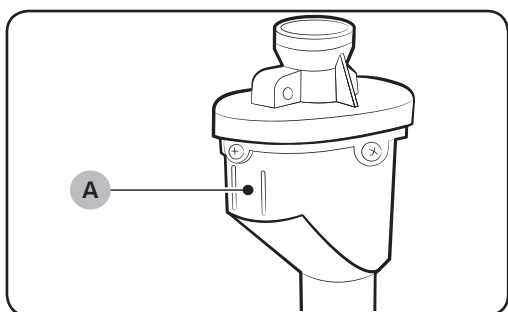


For models with an additional hot water inlet:



1. Connect the red end of the hot water hose to the hot water inlet on the back of the machine.
2. Connect the other end of the hot water hose to the hot water tap.

Aqua hose (applicable models only)

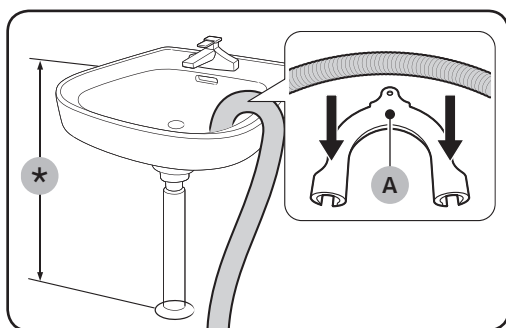


The aqua hose alerts users of a risk of water leaks. It senses the water flow and turns red on the centre **indicator (A)** in case of a leak.

# Installation

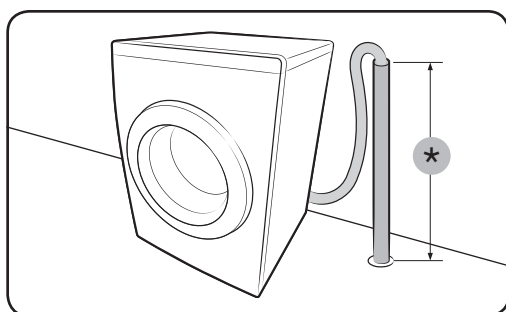
## STEP 5 Position the drain hose

The drain hose can be positioned in three ways:



### Over the edge of a wash basin

The drain hose must be placed at a height of between 60 cm and 90 cm (\*) from the floor. To keep the spout of the drain hose bent, use the supplied **plastic hose guide (A)**. Secure the guide to the wall using a hook to ensure stable drainage.



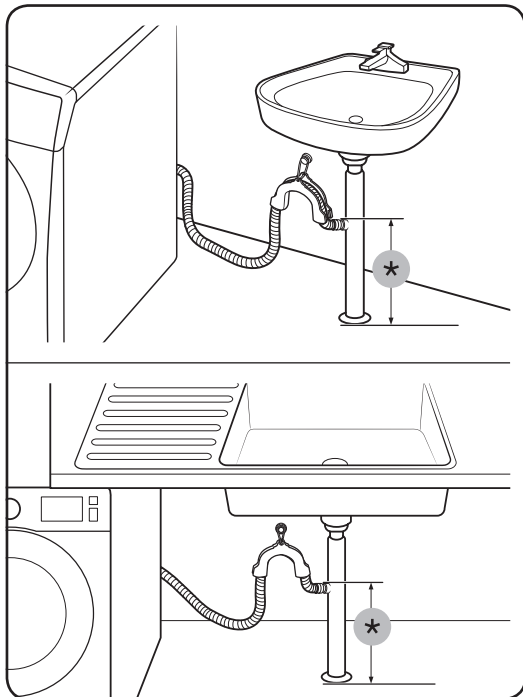
### In a drain pipe

The drain pipe should be between 60 cm and 90 cm high (\*). It is advisable to use a 65 cm high vertical pipe. Make sure the drain hose is connected to the stand pipe at a slant.

Drain standpipe requirements:

- Minimum diameter of 5 cm
- Minimum carry-away capacity of 60 litres per minute





### In a sink drain pipe branch

The drain pipe branch must be above the sink siphone so that the end of the hose is at least 24 in. (60 cm) above the ground.

(\*) : 24 in. (60 cm)

## STEP 6 Power on

Plug the power cord into a wall socket featuring an AC 220-240 V / 50 Hz approved electrical outlet protected by a fuse or circuit breaker. Then, press **Power** to turn on the washing machine.



# Before you start

---

## Initial settings

---

### Run Calibration (recommended)

Calibration ensures accurate weight detection by the washing machine. Make sure the drum is empty before running Calibration.

1. Power off, and then power on the washing machine.
2. Hold down **Temp.** and **Delay End** (or **Temp.** and **Delay End+**) simultaneously for 3 seconds to enter Calibration mode. The “Cb” message appears.
  - The buttons may differ with the models. Check your model.
3. Press and hold Start/Pause (Hold to Start) to run the Calibration cycle. The drum will rotate clockwise and counter-clockwise for about 3 minutes.
4. When the cycle is complete, “0” appears on the display and the washing machine will turn off automatically. The washing machine is now ready for use.

## Laundry guidelines

---

### STEP 1 Sort

---

#### Sort the laundry according to these criteria:

- Care Label: Sort the laundry into cottons, mixed fibres, synthetics, silks, wools, and rayon.
- Colour: Separate whites from colours.
- Size: Mixing different-sized items together in the drum improves the washing performance.
- Sensitivity: Wash delicate items separately for pure, new woollen items, curtains, and silk items. Check the labels on the items.

#### NOTE

Make sure to check the care label on the clothing, and sort them accordingly before starting the wash.



---

## STEP 2 Empty pockets

---

### Empty all the pockets of your laundry items

- Metal objects such as coins, pins, and buckles on clothing may damage other laundry items as well as the drum.

### Turn clothing with buttons and embroideries inside out

- If pants or jacket zippers are open while washing, the drum may be damaged. Zippers should be closed and fixed with a string.
- Clothing with long strings may become entangled with other clothes. Make sure to tie the strings before starting the wash.

---

## STEP 3 Use a laundry net

---

- Brassieres (water washable) must be placed in a laundry net. Metal parts of the brassieres may break through and tear other laundry items.
- Small, light clothing such as socks, gloves, stockings, and handkerchiefs may become caught around the door. Place them inside a fine laundry net.
- Do not wash the laundry net by itself without other laundry. This may cause abnormal vibrations that could move the washing machine and result in injury.

---

## STEP 4 Prewash (if necessary)

---

Select the Prewash option for the selected course if the laundry is heavily soiled. Do not use the Prewash option when detergent is manually added into the drum or if applying liquid detergent.

---

## STEP 5 Determine the load capacity

---

Do not overload the washing machine. Overloading may cause the washing machine to not wash properly. For the load capacity for the type of clothing, see page 35.

### NOTE

When washing bedding or bedding covers, the wash time may be lengthened or the spin efficiency may be reduced. For bedding or bedding covers, the recommended maximum spin cycle speed is 800 rpm, and the load capacity is 2.0 kg or less.

### CAUTION

- Unbalanced laundry may reduce the spinning performance.
- Make sure the laundry is fully inserted in the drum and not caught in the door.
- Do not slam the door. Close the door gently. Otherwise, the door may not be closed properly.



# Before you start

## STEP 6 Apply a proper detergent type

The type of detergent depends on the type of fabric (cotton, synthetic, delicate items, wool), colour, wash temperature, and degree of soiling. Always use “low suds” laundry detergent, which is designed for automatic washing machines.

### NOTE

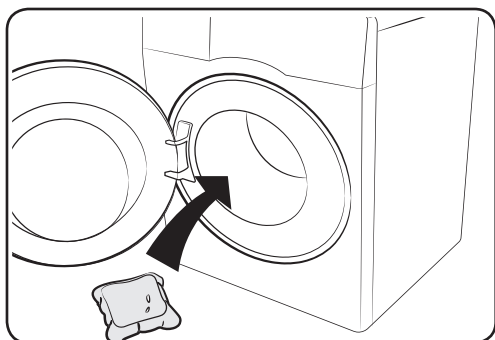
- Follow the detergent manufacturer’s recommendations based on the weight of the laundry, the degree of soiling, and the hardness of the water in your local area. If you are not sure about the water hardness, contact a local water authority.
- Do not use detergent that tends to be hardened or solidified. This detergent may remain after the rinse cycle, blocking the drain outlet.
- If too many bubbles occur during a cycle, a message of ‘Sud’ will be displayed.

### CAUTION

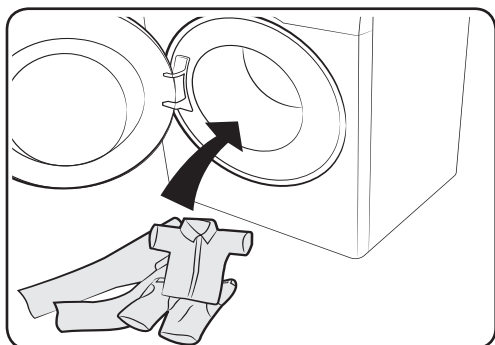
When washing wool using the wool course, use only a neutral liquid detergent. If used with the Wool course, powder detergent may remain on the laundry and discolour the laundry.

### Laundry capsules

To get the best results from using laundry capsules, please follow these instructions.



1. Put the capsule in the bottom of the empty drum towards the rear.



2. Put the laundry in the drum on top of the capsule.

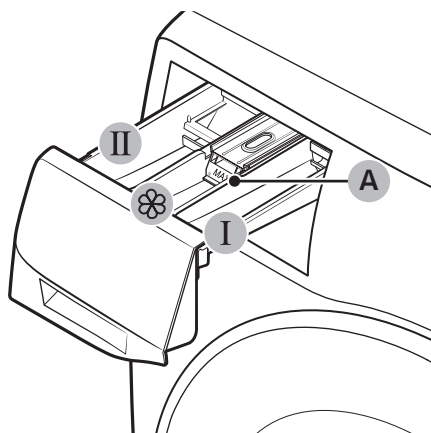
### CAUTION

For cycles using cold water or cycles that complete in less than one hour, the capsule may not dissolve completely.



## Detergent drawer guidelines

The washing machine provides a three-compartment dispenser: the left compartment for the main wash, the middle compartment for fabric softeners, and the right compartment for the preliminary wash.



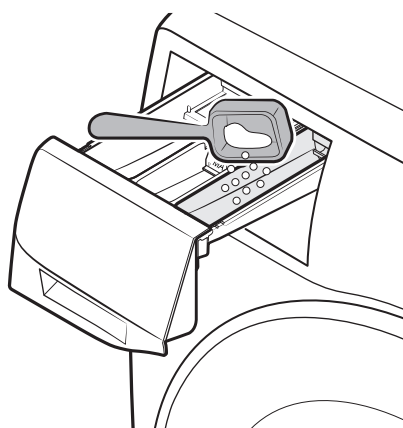
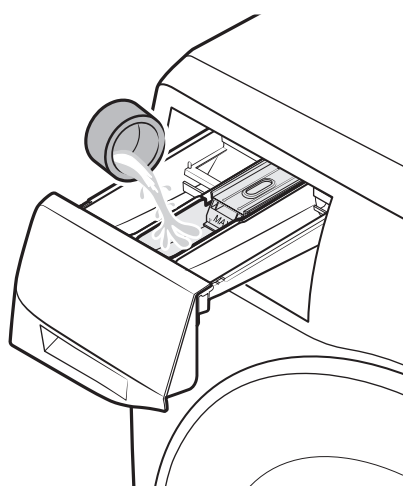
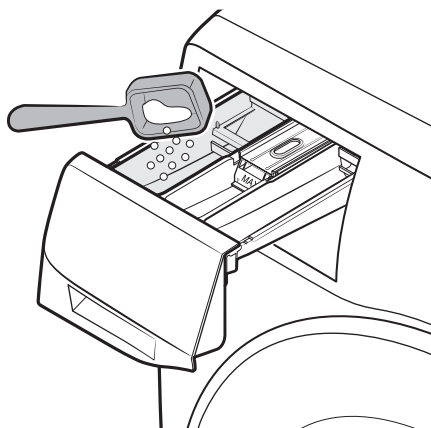
1. **I Prewash compartment:** Apply prewash detergent.
2. **II Main-wash compartment:** Apply main-wash detergent, water softener, soaking detergent, bleach, and/or stain removers.
3. **Softener compartment:** Apply additives such as fabric softener. Do not exceed the **max line (A)**.

### CAUTION

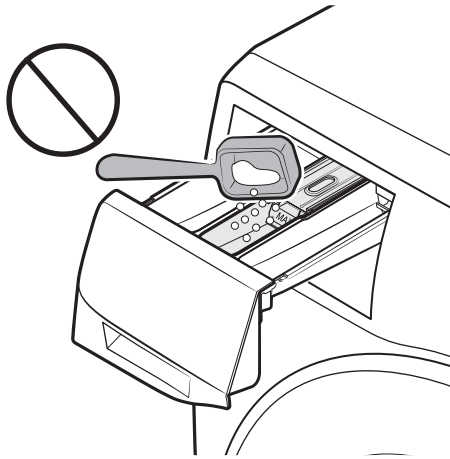
- Do not open the detergent drawer while the washing machine is operating.
- Do not use the following types of detergent:
  - Tablet or capsule types
  - Ball or net types
- To prevent the compartment clogging, concentrated or highly-enriched agents (fabric softener or detergent) must be diluted with water before being applied.
- Before moving the washing machine, make sure to empty the detergent drawer that might contain detergent and/or fabric softener. The content in the drawer may spill out on the floor.

# Before you start


## To apply washing agents to the manual dispenser



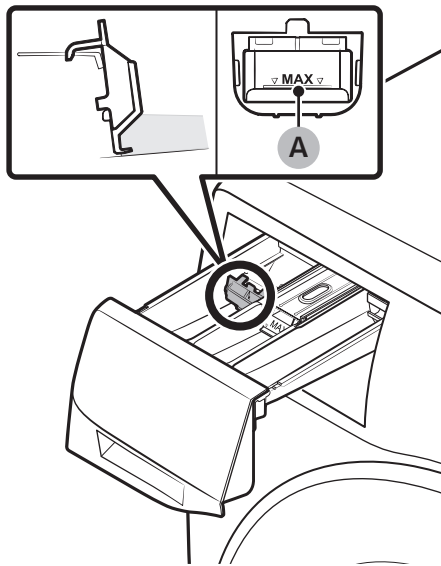
1. Slide open the detergent drawer.
2. Apply laundry detergent to the **II main-wash compartment** as instructed or recommended by the manufacturer. To use liquid detergent, see page <30>.
3. Apply fabric softener to the **softener compartment**. Do not exceed the max line.
4. If you want to prewash, apply prewash detergent to the **I prewash compartment** as instructed or recommended by the manufacturer.
5. Close the detergent drawer.



**⚠ CAUTION**

- Do not apply powder detergent to the liquid detergent container.
- Concentrated fabric softener must be diluted with water before applied.
- Do not apply main-wash detergent to the  softener compartment.

To use liquid detergent manually (applicable models only)



First insert the provided liquid detergent container in the **II main-wash compartment**. Then, apply liquid detergent to the container below the marked **max line (A)**.

**📖 NOTE**

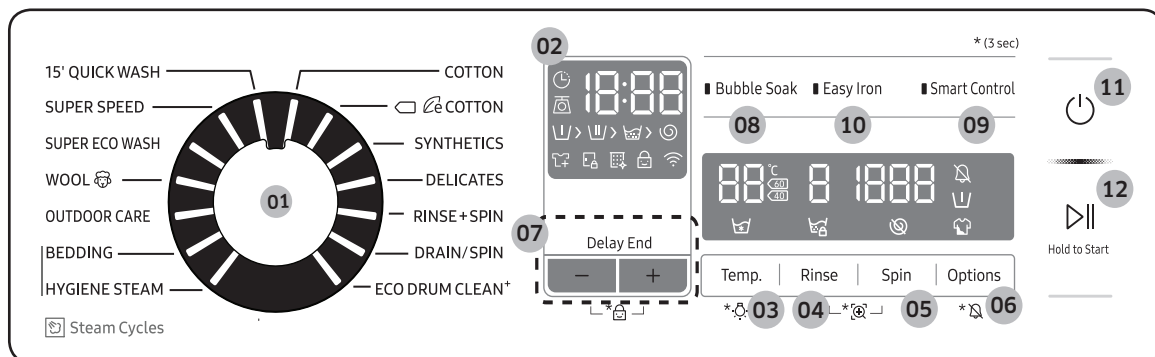
- Insert the liquid detergent guide only after you remove the detergent drawer from the washing machine by pressing **release lever (A)**.
- After a wash, some liquid detergent may remain in the detergent drawer.

**⚠ CAUTION**

- Do not exceed the max line that is marked inside the container.
- Remove the liquid container if using powder detergent.

# Operations

## Control panel



<b>01</b> Cycle Selector	Turn the dial to select a cycle.
<b>02</b> Display	The display shows current cycle information and estimated time remaining, or an information code when a problem occurs. For buttons and icons, refer to the corresponding page..
<b>03</b> Temp.	Press to change the water temperature for the current cycle. Press and hold for 3 seconds to turn on/off the Drum Light. The drum light turns off automatically after 2 minutes.
<b>04</b> Rinse	Press to change the rinse count for the current cycle. You can set the rinse count to a max of 5, depending on the cycle.
<b>05</b> Spin	Press to change the spinning speed for the current cycle. The revolutions per minute (RPM) differs with the model. <ul style="list-style-type: none"> <li>• <b>Rinse Hold</b> (☹): The final rinse process is suspended so that the laundry remains in the water. To unload the laundry, run a drain or spin process.             <ul style="list-style-type: none"> <li>- To use the Rinse Hold option, press Spin repeatedly until all rpm numeric indicators turn off. Not available for the DRAIN/SPIN cycle.</li> </ul> </li> <li>• <b>No Spin</b> (⊖): The drum does not rotate after the final drain process.             <ul style="list-style-type: none"> <li>- To use the No Spin option, press Spin repeatedly until all rpm numeric indicators turn off. Only available for the DRAIN/SPIN cycle.</li> </ul> </li> <li>• <b>Spin Only</b>: To run the Spin Only cycle, press <b>Spin</b> for 3 seconds. When the cycle time and spinning speed appear, press <b>Spin</b> repeatedly until a desired spinning speed is selected. Then, press and hold <b>Start/Pause (Hold to Start)</b> to start the cycle. The spinning time depends on the selected cycle.</li> </ul>

Operations

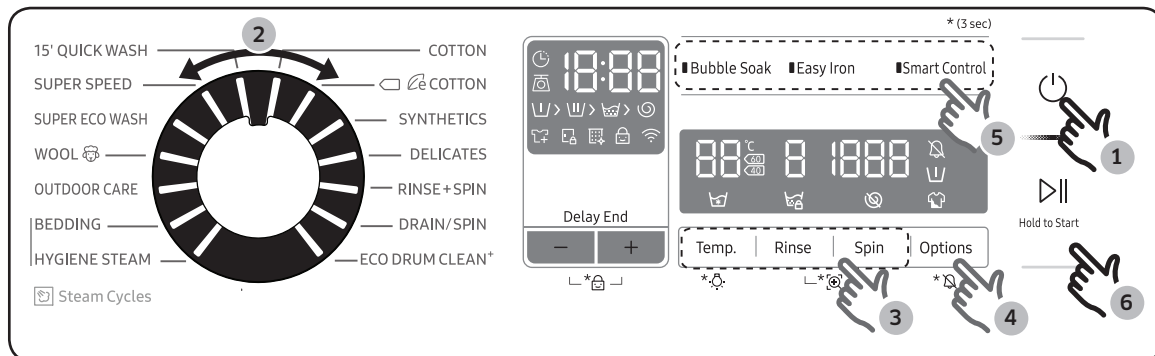


<b>06</b> Options	Press to select an option from Intensive and Pre Wash. Press again to deselect.
<b>07</b> Delay End	<p>Delay End lets you set the end time of the current cycle. Based on your settings, the start time of the cycle will be determined by the machine's internal logic. For example, this setting is useful for programming your machine to finish a wash at the time you normally return home from work.</p> <ul style="list-style-type: none"> <li>Press to choose a preset unit of hours.</li> </ul>
<b>08</b> Bubble soak	<p>Press to activate/deactivate the Bubble Soak function. This function helps remove a wide variety of stubborn stains.</p> <ul style="list-style-type: none"> <li>Bubble Soak helps remove a variety of stubborn stains.</li> <li>With Bubble Soak selected, laundry is thoroughly soaked in water bubbles for effective washing.</li> <li>Bubble Soak is available with and adds up to 30 minutes to these cycles: <b>COTTON</b>, <b>SYNTHETICS</b>, <b>BEDDING</b>, <b>SUPER SPEED</b> and <b>HYGIENE STEAM</b>.</li> </ul>
<b>09</b> Smart Control	Press to activate/deactivate the Smart Control function. When the Smart Control function is activated, you can control your washing machine using your mobile device. For more information, see the SmartThings section on page <42>.
<b>10</b> Easy Iron	<p>The spinning speed decreases to reduce wrinkles of the laundry.</p> <ul style="list-style-type: none"> <li>Set the spinning speed up to 800 rpm.</li> </ul>
<b>11</b> Power	Press to turn on/off the washing machine.
<b>12</b> Start/Pause (Hold to Start)	Press and hold to start an operation, or press to stop an operation temporarily.

For more information on the options, see the **Special features** section.

# Operations

## Simple steps to start




1. Press **Power** to turn on the washing machine.
2. Select a cycle in the cycle panel.
3. Change the cycle settings (Temp., Rinse, and Spin) as necessary.
4. To add an option, press **Options**. Use the button again to choose a preferred item.
5. The machine provides three easy to access buttons for **Bubble Soak**, **Easy Iron** and **Smart Control** for easy access. To use an option item, press the corresponding button.
6. Press and hold **Start/Pause (Hold to Start)**.

### To change the cycle during operation


1. Press **Start/Pause (Hold to Start)** to stop operation.
2. Select a different cycle.
3. Press **Start/Pause (Hold to Start)** again to start the new cycle.

## Cycle overview

### Standard cycles

Cycle	Description	Max load (kg)
COTTON	<ul style="list-style-type: none"> <li>For cottons, bed linens, table linens, underwear, towels, or shirts.</li> </ul> <p>The washing time and the rinse count are automatically adjusted according to the load.</p>	Max
 COTTON	<ul style="list-style-type: none"> <li>Optimal performance with lower energy for cotton fabrics, bed linens, table linens, underwear, towels, or shirts. For energy saving, the actual washing temperature may be lower than specified</li> </ul>	Max
SYNTHETICS	<ul style="list-style-type: none"> <li>For blouses or shirts that are made of polyester (diolen, trevira), polyamide (perlon, nylon), or the like.</li> </ul>	4.0
DELICATES	<ul style="list-style-type: none"> <li>For sensitive fabrics as rayon, viscose and synthetics blended fibre.</li> <li>For best performance, use liquid detergent.</li> </ul>	2.0
RINSE+SPIN	<ul style="list-style-type: none"> <li>Featuring an additional rinse process after applying fabric softener to the laundry.</li> </ul>	Max
DRAIN/SPIN	<ul style="list-style-type: none"> <li>Featuring an additional spin process to effectively remove moisture from laundry.</li> </ul>	Max
ECO DRUM CLEAN <sup>+</sup>	<ul style="list-style-type: none"> <li>Cleans the drum by removing dirt and bacteria from the drum.</li> <li>Perform once every 40 washes with no detergent or bleach applied.</li> <li>Make sure the drum is empty.</li> <li>Do not use any cleaning agents for cleaning the drum.</li> </ul>	-




# Operations

Cycle	Description	Max load (kg)
15' QUICK WASH	<p>For lightly soiled items in less than 2.0 kg that you want to wash quickly.</p> <ul style="list-style-type: none"> <li>Use less than 20 g of detergent. Using more than 20 g of detergent may leave detergent residue.</li> <li>For liquid detergent, use a max of 20 ml of liquid detergent.</li> </ul>	2.0
SUPER SPEED	<ul style="list-style-type: none"> <li>Fast completion within 39 minutes for everyday items such as underwear and shirts.</li> <li>The cycle time will differ depending on the water supply conditions, and the load and type of laundry.</li> </ul>	5.0
SUPER ECO WASH	<ul style="list-style-type: none"> <li>Low temperature ecobubble cycle helps reduce power consumption.</li> </ul>	4.0
 WOOL	<ul style="list-style-type: none"> <li>Specific for machine-washable wool for loads less than 2.0 kg.</li> <li>The wool cycle features gentle cradling and soaking to protect the wool fibres from shrinkage/distortion.</li> <li>A neutral detergent is recommended.</li> </ul>	2.0
OUTDOOR CARE	<ul style="list-style-type: none"> <li>For outdoor clothes, skiwear, and sportswear that are made of functional materials such as spandex, stretch, and micro-fibre</li> </ul>	2.0

## Steam cycles

Cycle	Description	Max load (kg)
BEDDING	<ul style="list-style-type: none"> <li>For bed spreads, bed sheets, bedding covers, etc.</li> <li>For best results, wash only 1 type of bedding and make sure the load weighs less than 2.0 kg.</li> </ul>	2.0
HYGIENE STEAM	<ul style="list-style-type: none"> <li>For heavily soiled, colorfast items. This cycle uses steam and a high water temperature to effectively remove stains.</li> </ul>	4.0

## Options

Option		Description
	Sound On/Off	<ul style="list-style-type: none"> <li>You can turn on or off the sound from the washing machine. When this function is set to Off, the AddWash alarm, the melody of cycle completion, and the power-off beep will not sound. However, the other sounds stay active.</li> </ul>
	Pre Wash	<ul style="list-style-type: none"> <li>This will add a preliminary washing cycle before the main wash cycle.</li> </ul>
	Intensive	<ul style="list-style-type: none"> <li>For badly soiled laundry. The operation time for each cycle is longer than normal.</li> </ul>

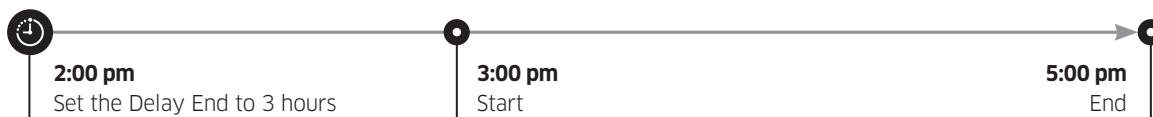
## Delay End

You can set the washing machine to finish your wash automatically at a later time, choosing a delay of between 1(60minutes) to 24 hours (in 1 hour increments). The hour displayed indicates the time the wash will finish.

1. Select a cycle. Then change the cycle settings if necessary.
2. Press **Delay End (or the +/- button)** repeatedly until a desired end time is set.
3. Press and hold **Start/Pause (Hold to Start)**. The Delay End indicator blinks and the washing machine tumbles the drum to sense the weight of the load if load sensing is preset for the selected cycle. When complete, it displays your set time with the timer running.
4. To cancel the **Delay End**, restart the washing machine by pressing **Power**.

### Real-life case

If you are going out at 5pm want to make sure the 2 hour wash cycle is completed by this time, select the Delay End option. Simply select the 3 hour setting and press **Start/Pause (Hold to Start)** at 2:00 pm. The washing machine will then start operating at 3:00 pm and will end at 5:00 pm. Please see below for the diagram which explains the timings of this example.




## Load sensor

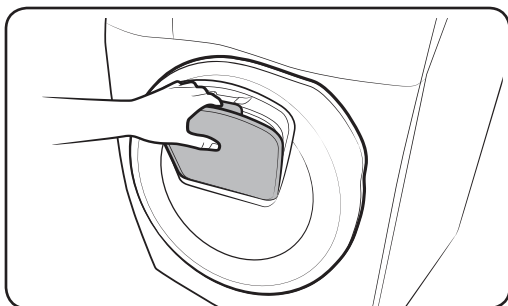
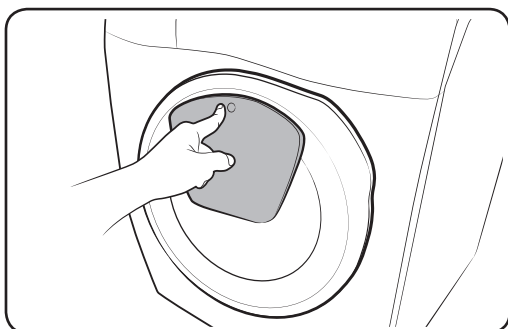
The load sensor icon lights up when you select a cycle that supports load sensing. Some cycles may not support loading sensing. Once you start the cycle, the icon blinks or stays solid during the load sensing process, and turns off when the process is complete.

# Operations

## Special features

### AddWash

When the AddWash indicator  turns on, you can stop operation of the machine and put additional laundry or softener into the drum. The Add Door opens by more than 130° for easy access.



1. Press **Start/Pause (Hold to Start)** to stop operation.
2. Press the upper area of the Add Door until you hear a clicking sound to unlock. Pull the handle of the Add Door to open.
3. Open the Add Door and insert additional laundry or softener into the drum.
4. Push to lock the Add Door until you hear a clicking sound.
5. Press **Start/Pause (Hold to Start)** to resume operation.

#### **CAUTION**

Do not put excessive force on the Add Door. It may break.

#### **NOTE**

The water inside the drum does not leak if the Add Door is closed properly. Water drops may form around the window, but they do not leak from inside the drum.

---

## CAUTION

- Do not open the Add Door if suds have formed inside the drum that rise above the level of the Add Door.
- Do not attempt to open the Add Door while the machine is operating without first pressing **Start/Pause (Hold to Start)**. Please note that the Add Door can be opened unintentionally (without pressing **Start/Pause (Hold to Start)**) when the wash is complete.
- Do not add an excessive load through the Add Door. Performance may be degraded.
- Do not use the lower area of the Add Door as a handle. Your fingers may be caught.
- Make sure that no laundry is caught in the Add Door.
- Keep your pets out of the washing machine, especially the Add Door.
- When using hot water for the wash, the Add Door seems to leak water after opening and closing the Add Door. This is normal, simply because steam emerging from the open Add Door has cooled and formed water drops on the surface.
- When the Add Door closes, the door seals up and no water can leak. However, you may encounter what appears to be water leak around the door - some residual water remaining around the Add Door may form water drops. This is normal.
- Neither the main door or the Add Door can be opened when the water temperature is over 50 °C. If the water level inside the drum is over a certain point, the main door cannot be opened.
- If an information code of **DDC** appears on the display, see the “**Information codes**” section for further actions.
- Keep the Add door and its surroundings clean at all times. Debris or detergent on or around the seals of the Add door may cause a leak.

# Operations

---

## Settings

---

### Child Lock

To prevent accidents by children, Child Lock locks all buttons except for **Power**.

#### To activate Child Lock

- On the manual dispenser models, press and hold - and + (of the Delay End option) simultaneously for 3 seconds. Then, press and hold **Start/Pause (Hold to Start)** to activate. The door locks and the Child Lock indicator turns on.

#### To deactivate Child Lock temporarily

On the manual dispenser models, press and hold - and + (of the Delay End option) simultaneously for 3 seconds.

#### NOTE

- If you open the door 1 minute or more after deactivating Child Lock, an alarm sounds for up to 2 minutes.
- If you close the door within 2 minutes, the door locks and Child Lock is reactivated. If you do not close the door or the door is not properly closed, the alarm keeps sounding for 2 minutes.
- To add laundry after activating Child Lock, first deactivate Child Lock or restart the washing machine.

#### To cancel the Child Lock

- On the manual dispenser models, press and hold - and + (of the Delay End option) simultaneously for 3 seconds to deactivate, and then press and hold the buttons again for 3 seconds to cancel Child Lock. The door unlocks and the Child Lock indicator turns off.



---

## Sound On/Off

You can turn on or off the sound from the washing machine. When this function is set to Off, the AddWash alarm, the melody of cycle completion, and the power-off beep will not sound. However, the other sounds stay active.

- To mute the sound, press and hold **Options** for 3 seconds.
- To unmute the sound, press and hold again for 3 seconds.
- Your setting will be kept even after restarting the machine.

## Drum Light

Set or change the Drum Light.

- Press the **Temp.** arrows to select Drum Light.
- To release the Drum Light function, hold down **Temp.** for 3 seconds.

# Operations

---

## SmartThings

---

### Wi-Fi connection

On your smartphone, go to the Settings and turn on the wireless connection and select an AP (Access Point).

#### NOTE

- This device is designed for household use only (Class B), and can be used in all residential areas.
- This device may cause wireless interference, and neither the manufacturer or the installer of this device can provide a safety measure of any kind.
- Recommended encryption methods are WPA/TKIP and WPA2/AES. Newly developed Wi-Fi protocols or unapproved Wi-Fi protocols are not supported.
- The reception sensitivity of a wireless network may be affected by surrounding wireless environments.
- If your Internet provider has registered the MAC address of your PC or the modem module for permanent use, your Samsung washing machine fails to connect to the Internet. If this is the case, contact your Internet provider.
- The Internet firewall may interrupt your Internet connection. If this happens, contact your Internet provider.
- If Internet failure continues after following the measurement of your Internet provider, contact a local Samsung retailer or service centre.
- For installing wired and wireless routers, refer to the user manual of the router you use.
- Samsung washing machine supports the Wi-Fi 2.4 GHz protocols.
- Samsung washing machine supports the IEEE802.11 b/g/n (2.4 GHz), Soft-AP protocols. (IEEE802.11n is recommended)
- An unapproved wired/wireless router may fail to connect to Samsung washing machine.

### Download

On an app market (Google Play Store, Apple App Store, Samsung Galaxy Apps), find the SmartThings app with a search term of "SmartThings". Download and install the app on your device.

#### NOTE

- The SmartThings app is available on third-party devices with Android OS 6.0 (Marshmallow) or higher, Samsung devices with Android OS 5.0 (Lollipop) or higher, and iOS devices with iOS 10.0 or higher. (For iPhones, it must be iPhone 6 or higher). The app is optimised for Samsung smartphones (Galaxy S and Note series).
- Some functions of the app may operate differently on third-party devices.
- The app is subject to change without notice for improved performance.

---

## Log in

You must first log into SmartThings with your Samsung account. To create a new Samsung account, follow the instructions on the app. You don't need a separate app to create your account.

### NOTE

If you have a Samsung account, use the account to log in. A registered Samsung smartphone user automatically logs in.

## To register your device to SmartThings

1. Make sure your smartphone is connected to a wireless network. If not, go to the **Settings** and turn on the wireless connection and select an AP (Access Point).
2. Select to run **SmartThings** on your smartphone.
3. When a message of "A new device is found.", select **Add**.
4. If no message appears, select + and select your washing machine in a list of devices available. If your washing machine is not listed, select **Device Type > Specific Device Model**, and then add your washing machine manually.
5. Register your washing machine to the SmartThings app as follows.
  - a. Log into SmartThings with your Samsung account.
  - b. Turn a Wi-Fi connection on.
  - c. Add your washing machine to SmartThings. Make sure your washing machine is connected to SmartThings.
  - d. When registration is complete, your washing machine appears on your smartphone.

## Washing Machine app

Integrated control: You can monitor and control your washing machine both at home and on the go.

- Select the Washing Machine icon on SmartThings. The Washing Machine page appears.
- Check the operation status or notifications related to your washing machine, and change options or settings if necessary.

# Operations

## SmartThings

Category	Checkpoint	Description
Monitoring	Washing status	You can check the current cycle and its options, and the remaining cycle time.
	Smart Control	The Smart Control status is shown for the washing machine.
	Self Check	Use this to check if the washing machine operates normally.
	Energy monitoring	Use this to monitor the energy consumption status.
Control	Start/Pause/Cancel	Select a cycle and necessary options, and then select Start/Pause/Cancel to start an operation, to stop temporarily, or to cancel the current operation.
	My Favorite	Add frequently used cycles and options to My Favorite for later use.
Notification	Cycle completed	Notifies you the current cycle is complete.
	AddWash alarm (applicable models only)	Notifies you of the addition of a new load.
	Remaining laundry (applicable models only)	Notifies you of any laundry left after a cycle is complete.
Q-Rator	Laundry Recipe*	You can select the fabric type, color, and the soil level to get recommended options and wash cycles that you can start right away.
	Laundry Planner*	You can set the desired time for a wash cycle to finish. After you set the desired time, you will get a recommended cycle that will end within the time you set, and you can start or reserve the recommended cycle.
	HomeCare Wizard *	Provides a regular report with an analysis of the machine operation state in a user-set frequency (every week/month). You can use this regular report to check your usage pattern, maintenance requirements, and energy consumption ** for the set period of time.
	* Requires 'SmartThings', available on Android and iOS. Registration required. ** Indicative results only.	

---

## Open Source Announcement

The software included in this product contains open source software. You may obtain the complete corresponding source code for a period of three years after the last shipment of this product by sending an email to <mailto:oss.request@samsung.com>.

It is also possible to obtain the complete corresponding source code in a physical medium such as a CD-ROM; a minimal charge will be required.

The following URL <http://opensource.samsung.com/opensource/SimpleConnectTP/seq/0> leads to the download page of the source code made available and open source license information as related to this product. This offer is valid to anyone in receipt of this information.



### NOTE

Hereby, Samsung Electronics, declares that the radio equipment type appliance is in compliance with Directive 2014/53/EU. The full text of the EU declaration of conformity is available at the following internet address: The official Declaration of conformity may be found at <http://www.samsung.com>, go to Support > Search Product Support and enter the model name.

Wi-Fi max transmitter power : 20 dBm at 2.412 GHz - 2.472 GHz

# Maintenance

---

Keep the washing machine clean to prevent deteriorated performance and to preserve its life cycle.

## Eco drum clean+

---

Perform this cycle regularly to clean the drum and to remove bacteria from it. This cycle also removes accumulated dirt from the rubber door gasket.

1. Press **Power** to turn on the washing machine.
2. Turn the Cycle Selector to select **ECO DRUM CLEAN+** .
3. Press and hold **Start/Pause (Hold to Start)**.

### **NOTE**

The water temperature for **ECO DRUM CLEAN+** is set to 70 °C, which cannot be changed.

### **CAUTION**

Do not use any cleaning agents for cleaning the drum. Chemical residue in the drum deteriorates the washing performance.

### **ECO DRUM CLEAN+ reminder**

- The **ECO DRUM CLEAN+** reminder appears on the main screen once every 40 washes. It is advisable to perform the **ECO DRUM CLEAN+** regularly.
- When you first see this reminder, you can ignore the reminder for 6 consecutiv washes. From the 7<sup>th</sup> wash, the reminder no longer appears. However, it appears again on the second 40<sup>th</sup> wash.

---

## Smart Check

To enable this function, you must first download the **Samsung Smart Washer** app at the **Play Store** or the **Apple Store**, and install it on a mobile device featuring a camera operation.

The Smart Check function has been optimized for Galaxy & iPhone series (applicable models only).

1. When the washing machine detects an issue to check, an information code appears on the display. To enter Smart Check mode, press and hold **Rinse** and **Spin** simultaneously for 3 seconds.
2. The washing machine starts the self-diagnosis procedure and display an information code if a problem is detected.
3. Run the Samsung Smart Washer app on your mobile device, and tap Smart Check.
4. Put the mobile device close to the washing machine's display so that the mobile device and the washing machine face each other. Then, the information code will be recognized automatically by the app.
5. When the information code is recognized correctly, the app provides detailed information about the problem with applicable counteractions.

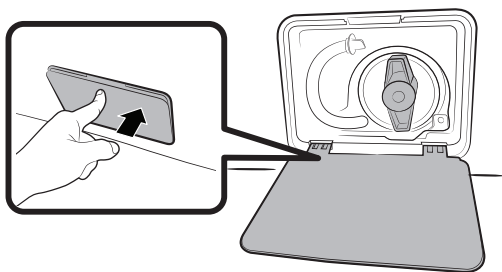
### **NOTE**

- The function name, Smart Check, may differ depending on the language.
- If there is strong reflected light on the washing machine display, the app may fail to recognize the information code.
- If the app fails to recognize the Smart Check code consecutively, enter the information code manually onto the app screen.

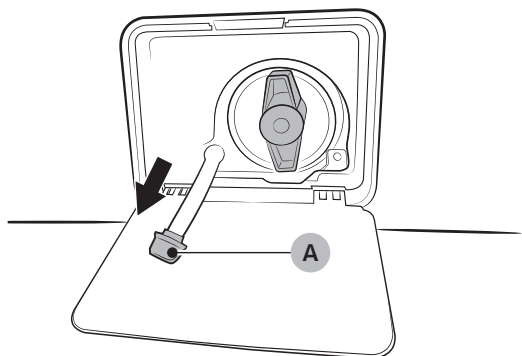
# Maintenance

## Emergency drain

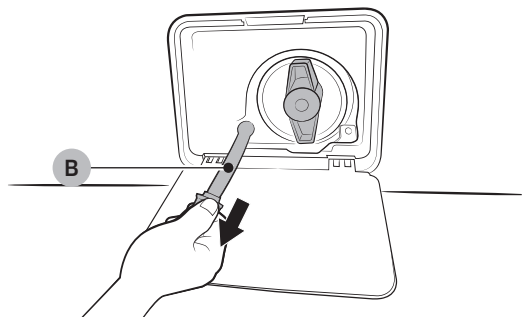
In case of a power failure, drain the water inside the drum before taking out the laundry.



1. Power off and unplug the washing machine from the electrical outlet.
2. Gently press the top area of the **filter cover** to open.



3. Put an empty, spacious container around the cover, and stretch the emergency drain tube to the container while holding the **tube cap (A)**.



4. Open the tube cap and let water in the emergency **drain tube (B)** flow into the container.
5. When done, close the tube cap, and reinsert the tube. Then, close the filter cover.

### **NOTE**

Use a spacious container because the water in the drum may be more than expected.



---

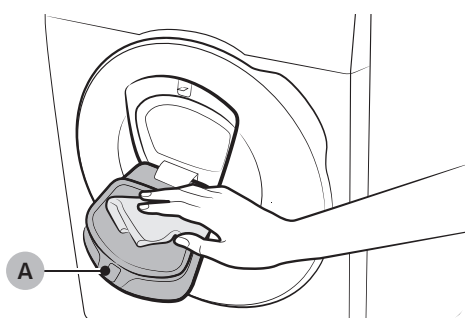
## Cleaning

---

### Surface of the washing machine

Use a soft cloth with a nonabrasive household detergent. Do not spray water onto the washing machine.

### Add Door



1. Open the Add Door.
2. Use a wet cloth to clean the Add Door.
  - Do not use cleaning agents. Discolouration may occur.
  - Use caution when cleaning the rubber packing and the **locking mechanism (A)**.
  - Dust off the door area regularly.
3. Wipe up and close the Add Door until you hear a clicking sound.

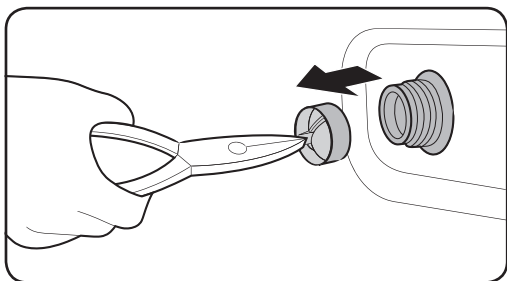
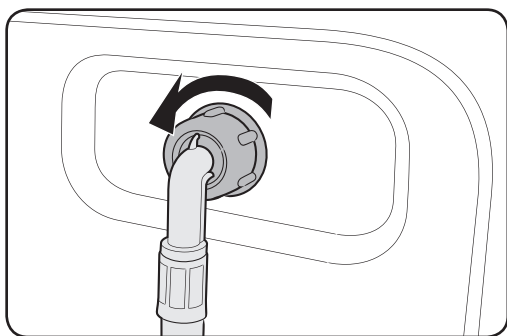
### CAUTION

- Do not apply force on the Add Door. It may break.
- Do not leave the Add Door open while the machine is operating.
- Do not put heavy objects on the Add Door at any time.
- To prevent physical injury, do not touch the Add Door while the drum is rotating.
- Do not open the Add Door while the machine is operating. This may cause physical injury.
- Do not manipulate the feature panel while the Add Door is open. This may cause physical injury or system failure.
- Do not input objects other than laundry.
- Do not input bulky items to the drum through the Add Door.
- Do not pull out the rubber packing of the Add Door when cleaning. This may cause damage.

# Maintenance

## Mesh filter

Clean the mesh filter of the water hose once or twice a year.



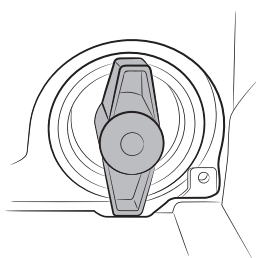
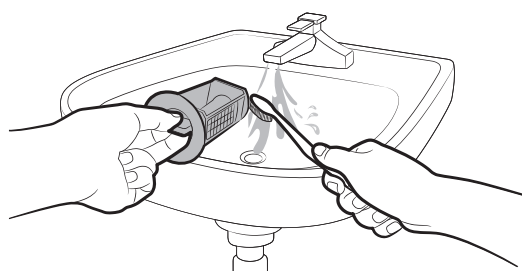
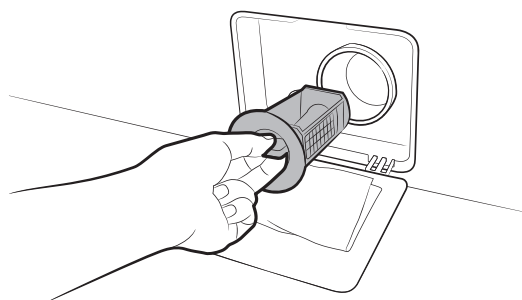
1. Turn off the washing machine, and unplug the power cord.
2. Close the water tap.
3. Loosen and disconnect the water hose from the back of the washing machine. Cover the hose with a cloth to prevent water from gushing out.
4. Use pliers to pull out the mesh filter from the inlet valve.
5. Submerge the mesh filter deeply in water so that the threaded connector is also submerged.
6. Dry the mesh filter completely in the shade.
7. Reinsert the mesh filter into the inlet valve, and reconnect the water hose to the inlet valve.
8. Open the water tap.

### NOTE

If the mesh filter is clogged, an information code of “4C” appears on the screen.

## Pump filter

It is advisable to clean the pump filter 5 or 6 times a year to prevent its clogging. A clogged pump filter may reduce the bubble effect.



1. Turn off the washing machine, and unplug the power cord.
2. Drain the remaining water inside the drum. See the Emergency drain section.
3. Gently press the top area of the filter cover to open.
4. Turn the pump filter knob to the left, and drain off the remaining water.
5. Clean the pump filter using soft brushes. Make sure the drain pump propeller inside the filter is unclogged.
6. Reinsert the pump filter, and turn the filter knob to the right.

### NOTE

- Some pump filters feature a safety knob that is designed to prevent accidents by children. To open the safety knob of the pump filter, push in and turn it anticlockwise. The spring mechanism of the safety knob helps open the filter.
- To close the safety knob of the pump filter, turn it clockwise. The spring makes a rattling sound, which is normal.

### NOTE

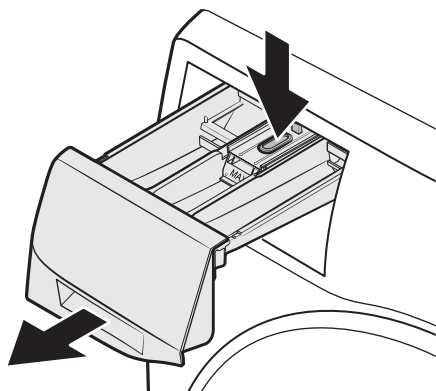
If the pump filter is clogged, an information code of “5C” appears on the screen.

### CAUTION

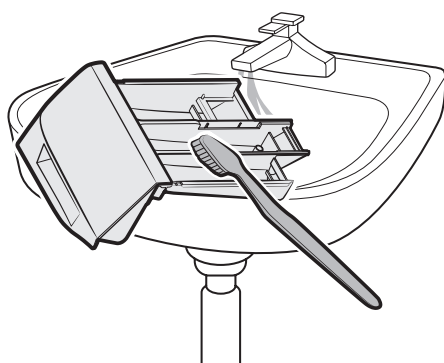
- Make sure the filter knob is closed properly after cleaning the filter. Otherwise, this may cause a leak.
- Make sure the filter is inserted properly after cleaning it. Otherwise, this may cause an operational failure or a leak.

# Maintenance

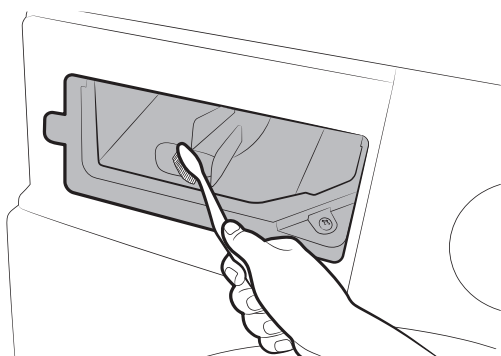
## Detergent Drawer



1. While holding down the release lever inside the drawer, slide open the drawer.



2. Clean the drawer components in flowing water using a soft brush.



3. Clean the drawer recess using a soft brush.
4. Reinsert the liquid detergent container to the drawer.
5. Slide the drawer inward to close it.

### NOTE

To remove remaining detergent, perform the **RINSE+SPIN** cycle with the drum being empty.

# Maintenance

---

## Recovery from freezing

---

The washing machine may freeze when it drops below 0 °C.

1. Turn off the washing machine, and unplug the power cord.
2. Pour warm water over the water tap to loosen the water hose.
3. Disconnect the water hose, and soak it in warm water.
4. Pour warm water into the drum and leave it for about 10 minutes.
5. Reconnect the water hose to the water tap.

### NOTE

If the washing machine still doesn't operate normally, repeat the above steps until it operates normally.

## Care against an extended time of disuse

---


Avoid leaving the washing machine unused for an extended time. If this is the case, drain the washing machine and unplug the power cord.

1. Turn the **Cycle Selector** to select a **RINSE+SPIN**.
2. Empty the drum, and press **Start/Pause (Hold to Start)**.
3. When the cycle is complete, close the water tap and disconnect the water hose.
4. Turn off the washing machine, and unplug the power cord.
5. Open the door to let air circulate through the drum.

# Troubleshooting

## Checkpoints

If you encounter a problem with the washing machine, first check the table below and try the suggestions.

Problem	Action
Does not start.	<ul style="list-style-type: none"><li>• Make sure the washing machine is plugged in.</li><li>• Make sure the door is properly closed.</li><li>• Make sure the water taps are open.</li><li>• Press and hold <b>Start/Pause (Hold to Start)</b> to start the washing machine.</li><li>• Make sure Child Lock  is not activated.</li><li>• Before the washing machine starts to fill, it will make a series of clicking noises to check the door lock and does a quick drain.</li><li>• Check the fuse or reset the circuit breaker.</li></ul>
Water supply is insufficient, or no water is supplied.	<ul style="list-style-type: none"><li>• Fully open the water tap.</li><li>• Make sure the door is properly closed.</li><li>• Make sure the water supply hose is not frozen.</li><li>• Make sure the water supply hose is not kinked or clogged.</li><li>• Make sure there is sufficient water pressure.</li></ul>
After a cycle, detergent remains in the detergent drawer.	<ul style="list-style-type: none"><li>• Make sure the washing machine is running with sufficient water pressure.</li><li>• Make sure the detergent is added to the centre of the detergent drawer.</li><li>• Make sure the rinse cap is inserted properly.</li><li>• If using granular detergent, make sure the detergent selector is in the upper position.</li><li>• Remove the rinse cap and clean the detergent drawer.</li></ul>

Problem	Action
<p>Excessive vibrations or makes noise.</p>	<ul style="list-style-type: none"> <li>• Make sure the washing machine is installed on a level, solid floor that is not slippery. If the floor is not level, use the levelling feet to adjust the height of the washing machine.</li> <li>• Make sure the shipping bolts are removed.</li> <li>• Make sure the washing machine is not contacting any other object.</li> <li>• Make sure the laundry load is balanced.</li> <li>• The motor can cause noise during normal operation.</li> <li>• Overalls or metal-decorated clothes can cause noise while being washed. This is normal.</li> <li>• Metal objects such as coins can cause noise. After washing, remove these objects from the drum or filter case.</li> </ul>
<p>Does not drain and/or spin.</p>	<ul style="list-style-type: none"> <li>• Make sure the drain hose is straightened all the way to the drain system. If you encounter a drain restriction, call for service.</li> <li>• Make sure the debris filter is not clogged.</li> <li>• Close the door and press and hold <b>Start/Pause (Hold to Start)</b>. For your safety, the washing machine will not tumble or spin unless the door is closed.</li> <li>• Make sure the drain hose is not frozen or clogged.</li> <li>• Make sure the drain hose is connected to a drain system that is not clogged.</li> <li>• If the washing machine is not supplied with sufficient power, the washing machine temporarily will not drain or spin. As soon as the washing machine regains sufficient power, it will operate normally.</li> </ul>
<p>The door does not open.</p>	<ul style="list-style-type: none"> <li>• Press <b>Start/Pause (Hold to Start)</b> to stop the washing machine.</li> <li>• It may take a few moments for the door lock mechanism to disengage.</li> <li>• The door will not open until 3 minutes after the washing machine has stopped or the power turned off.</li> <li>• Make sure all the water in the drum is drained.</li> <li>• The door may not open if water remains in the drum. Drain the drum and open the door manually.</li> <li>• Make sure the door lock light is off. The door lock light turns off after the washing machine has drained.</li> </ul>


# Troubleshooting

Problem	Action
Excessive suds.	<ul style="list-style-type: none"> <li>• Make sure you use the recommended types of detergent as appropriate.</li> <li>• Use high efficiency (HE) detergent to prevent oversudsing.</li> <li>• Reduce the detergent amount for soft water, small loads, or lightly soiled loads.</li> <li>• Non-HE detergent is not recommended.</li> </ul>
Cannot apply additional detergent.	<ul style="list-style-type: none"> <li>• Make sure the remaining amount of detergent and fabric softener is not over the limit.</li> </ul>
Stops.	<ul style="list-style-type: none"> <li>• Plug the power cord into a live electrical outlet.</li> <li>• Check the fuse or reset the circuit breaker.</li> <li>• Close the door and press and hold <b>Start/Pause (Hold to Start)</b> to start the washing machine. For your safety, the washing machine will not tumble or spin unless the door is closed.</li> <li>• Before the washing machine starts to fill, it will make a series of clicking noises to check the door lock and does a quick drain.</li> <li>• There may be a pause or soak period in the cycle. Wait briefly and the washing machine may start.</li> <li>• Make sure the mesh filter of the water supply hose at the water taps is not clogged. Periodically clean the mesh filter.</li> <li>• If the washing machine is not supplied with sufficient power, the washing machine temporarily will not drain or spin. As soon as the washing machine regains sufficient power, it will operate normally.</li> </ul>



Problem	Action
<p>Fills with the wrong water temperature.</p>	<ul style="list-style-type: none"> <li>• Fully open both taps.</li> <li>• Make sure the temperature selection is correct.</li> <li>• Make sure the hoses are connected to the correct taps. Flush water lines.</li> <li>• Make sure the water heater is set to supply a minimum 120 °F (49 °C) hot water at the tap. Also, check the water heater capacity and recovery rate.</li> <li>• Disconnect the hoses and clean the mesh filter. The mesh filter may be clogged.</li> <li>• While the washing machine fills, the water temperature may change as the automatic temperature control feature checks incoming water temperature. This is normal.</li> <li>• While the washing machine fills, you may notice just hot and/or just cold water going through the dispenser when cold or warm temperatures are selected. This is a normal function of the automatic temperature control feature as the washing machine determines the water temperature.</li> </ul>
<p>Load is wet at the end of a cycle.</p>	<ul style="list-style-type: none"> <li>• Use the High or Extra High spin speed.</li> <li>• Use high efficiency (HE) detergent to reduce oversudsing.</li> <li>• Load is too small. Small loads (one or two items) may become unbalanced and not spin completely.</li> <li>• Make sure the drain hose is not kinked or clogged.</li> </ul>
<p>Leaks water.</p>	<ul style="list-style-type: none"> <li>• Make sure the door is properly closed.</li> <li>• Make sure all hose connections are tight.</li> <li>• Make sure the end of the drain hose is correctly inserted and secured to the drain system.</li> <li>• Avoid overloading.</li> <li>• Use high efficiency (HE) detergent to prevent oversudsing.</li> </ul>
<p>Has odours.</p>	<ul style="list-style-type: none"> <li>• Excessive suds collect in recesses and can cause foul odours.</li> <li>• Run cleansing cycles to sanitise periodically.</li> <li>• Clean the door seal (diaphragm).</li> <li>• Dry the washing machine interior after a cycle has finished.</li> </ul>
<p>No bubbles are seen (BubbleShot models only).</p>	<ul style="list-style-type: none"> <li>• Overloading may screen bubbles.</li> <li>• Severely contaminated laundry may not generate bubbles.</li> </ul>


# Troubleshooting

Problem	Action
Can I open the Add Door at any time?	<ul style="list-style-type: none"><li>• The Add Door can be opened only when the  indicator appears. However, it does not open in the following cases:<ul style="list-style-type: none"><li>- When the boiling or drying process is running and the internal temperature becomes high</li><li>- If you set the Child Lock for safety reasons</li><li>- When the drum wash or drum drying cycle is running that does not involve additional laundry</li></ul></li></ul>
The auto dispenser indicators blink. (applicable models only)	<ul style="list-style-type: none"><li>• Check if the detergent drawer is closed properly.<ul style="list-style-type: none"><li>- Open the detergent drawer and close it again. Make sure it's closed properly.</li></ul></li><li>• This may happen if liquid detergent has hardened inside the detergent compartment.<ul style="list-style-type: none"><li>- Clean and unclog the detergent compartment.</li></ul></li></ul>


If a problem persists, contact a local Samsung service centre.


## Information codes

If the washing machine fails to operate, you may see an information code on the screen. Check the table below and try the suggestions.

Code	Action
4C	<p><b>Water is not supplied.</b></p> <ul style="list-style-type: none"><li>• Make sure the water taps are open.</li><li>• Make sure the water hoses are not clogged.</li><li>• Make sure the water taps are not frozen.</li><li>• Make sure the washing machine is operating with sufficient water pressure.</li><li>• Make sure that the cold water tap and the hot water tap are properly connected.</li><li>• Clean the mesh filter as it may be clogged.</li></ul> <p> <b>NOTE</b> When the washer displays the “4C” code, the washer do draining for 3 minutes. During this time, the Power button is inoperative.</p>
4C2	<ul style="list-style-type: none"><li>• Make sure the cold water supply hose is firmly connected to the cold water tap. If it is connected to the hot water tap, the laundry may be deformed with some cycles.</li></ul>
5C	<p><b>Water is not draining.</b></p> <ul style="list-style-type: none"><li>• Make sure the drain hose is not frozen or clogged.</li><li>• Make sure the drain hose is positioned correctly, depending on the connection type.</li><li>• Clean the debris filter as it may be clogged.</li><li>• Make sure the drain hose is straightened all the way to the drain system.</li><li>• If the information code remains, contact a customer service centre.</li></ul>
dC	<p><b>Operating the washer with the door open.</b></p> <ul style="list-style-type: none"><li>• Make sure the door is properly closed.</li><li>• Make sure laundry is not caught in the door.</li></ul>
DC1	<p><b>The Main Door lock/unlock is not working properly.</b></p> <ul style="list-style-type: none"><li>• Turn the machine off, and restart the cycle.</li><li>• If the information code remains, contact a customer service centre.</li></ul>

# Troubleshooting

Code	Action
DC3	<p>The Add Door lock/unlock is not working properly.</p> <ul style="list-style-type: none"> <li>• Turn the machine off, and restart the cycle.</li> <li>• If the information code remains, contact a customer service centre.</li> </ul>
OC	<p>Water is overflowed.</p> <ul style="list-style-type: none"> <li>• Restart after spinning.</li> <li>• If the information code remains on the display, contact a local Samsung service centre.</li> </ul>
LC, LC1	<p>Check the drain hose.</p> <ul style="list-style-type: none"> <li>• Make sure the end of the drain hose is placed on the floor.</li> <li>• Make sure the drain hose is not clogged.</li> <li>• If the information code remains, contact a customer service centre.</li> </ul> <p> <b>NOTE</b> When the washer displays the “LC,LC1” code, the washer do draining for 3 minutes. During this time, the Power button is inoperative.</p>
Ub	<p>Spinning does not work.</p> <ul style="list-style-type: none"> <li>• Make sure laundry is spread out evenly.</li> <li>• Make sure the washing machine is on a flat, stable surface.</li> <li>• Redistribute the load. If only one item of clothing needs washing, such as a bathrobe or pair of jeans, the final spin result might be unsatisfactory, and an “Ub” check message will be shown in the display.</li> </ul>
3C	<p>Check the motor for operation.</p> <ul style="list-style-type: none"> <li>• Try restarting the cycle.</li> <li>• If the information code remains, contact a customer service centre.</li> </ul>
UC	<p>The electronic control needs to be checked (Over Voltage Error).</p> <ul style="list-style-type: none"> <li>• Check the PCB and wire harness.</li> <li>• Check if power is supplied properly.</li> <li>• If the information code remains, contact a customer service centre.</li> </ul>
	<p>Low voltage detected</p> <ul style="list-style-type: none"> <li>• Check if the power cord is plugged in.</li> <li>• If the information code remains, contact a customer service centre.</li> </ul>


























Code	Action
HC	<p><b>High temperature heating check</b></p> <ul style="list-style-type: none"> <li>• If the information code remains, contact a customer service centre.</li> </ul>
1C	<p><b>The Water Level sensor is not working properly.</b></p> <ul style="list-style-type: none"> <li>• Try power off and restarting the cycle.</li> <li>• Check WaterLevel Sensor wire harness.</li> <li>• If the information code remains, contact a customer service centre.</li> </ul> <p> <b>NOTE</b> When the washer displays the “1C” code, the washer do draining for 3 minutes. During this time, the Power button is inoperative.</p>
8C	<p><b>The MEMS sensor is not working properly.</b></p> <ul style="list-style-type: none"> <li>• Turn the machine off, and restart the cycle.</li> <li>• If the information code remains, contact a customer service centre.</li> </ul>
AC	<p><b>Check communications between main and sub PBAs.</b></p> <ul style="list-style-type: none"> <li>• Try power off and restarting the cycle.</li> <li>• If the information code remains, contact a customer service centre.</li> </ul>
AC6	<p><b>Check communications between main and inverter PBAs.</b></p> <ul style="list-style-type: none"> <li>• Depending on the state, the machine may automatically returns to normal operation.</li> <li>• Turn the machine off, and restart the cycle.</li> <li>• If the information code remains, contact a customer service centre.</li> </ul>
ddC	<p><b>This message appears when you open the Add Door without pressing Pause. If this happens, do one of the following:</b></p> <ul style="list-style-type: none"> <li>• To add laundry, press the Add Door to close it properly. Then, press <b>Start/Pause</b> and try again.</li> <li>• If you press the Add Door by mistake, press the Add Door again to close it properly. Then, press <b>Start/Pause</b> to resume operation.</li> </ul>

If any information code keeps appearing on the screen, contact a local Samsung service centre.

# Specifications

## Fabric care chart

The following symbols provide garment care directions. The care labels include four symbols in this order: washing, bleaching, drying and ironing (and dry cleaning when necessary). The use of symbols ensures consistency among garment manufacturers of domestic and imported items. Follow the care label directions to maximize garment life and reduce laundry problems.

	Resistant material		Do not iron
	Delicate fabric		Can be dry cleaned using any solvent
	Item can be washed at 95 °C		Dry Clean
	Item can be washed at 60 °C		Dry clean with perchloride, lighter fuel, pure alcohol or R113 only
	Item can be washed at 40 °C		Dry clean with aviation fuel, pure alcohol or R113 only
	Item can be washed at 30 °C		Do not dry clean
	Hand wash only		Dry flat
	Dry clean only		Can be hung to dry
	Can be bleached in cold water		Dry on clothes hanger
	Do not bleach		Tumble dry, normal heat
	Can be ironed at 200 °C max		Tumble dry, reduced heat
	Can be ironed at 150 °C max		Do not tumble dry
	Can be ironed at 100 °C max		

---

## Protecting the environment

---

- This appliance is manufactured from recyclable materials. If you decide to dispose of this appliance, please observe local waste disposal regulations. Cut off the power cord so that the appliance cannot be connected to a power source. Remove the door so that animals and small children cannot get trapped inside the appliance.
- Do not exceed the detergent quantities recommended in the detergent manufacturer's instructions.
- Use stain removal products and bleaches before the wash cycle only when strictly necessary.
- Save water and electricity by only washing full loads (the exact amount depends upon the program used).

# Specifications

## Specification sheet

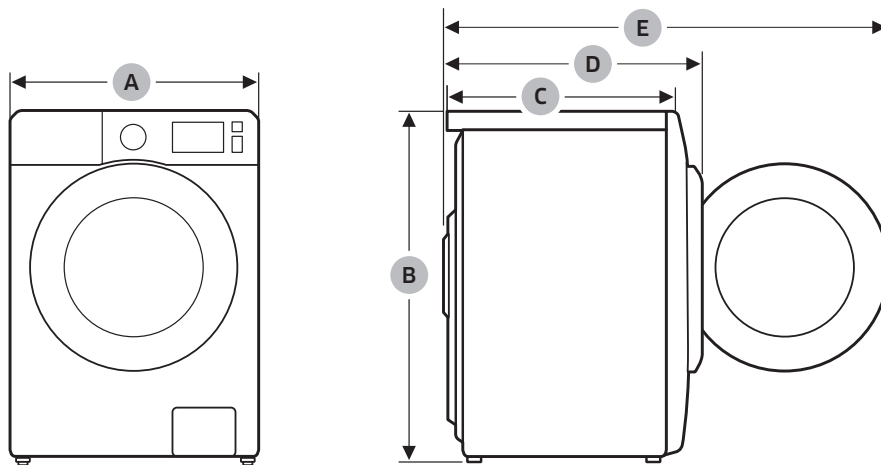
“ \* “ Asterisk(s) means variant model and can be varied (0-9) or (A-Z).

Type			Front loading washing machine
Model name			P156*
Dimensions			W600 x D600 x H850 (mm)
Water pressure			50 kPa - 800 kPa
Net weight			80 kg
Wash and spin capacity			9.0 kg
Power consumption	Washing and heating	220 V	2000 W
		240 V	2400 W
Spin revolutions			1400 rpm

### NOTE

The design and specifications are subject to change without notice for quality improvement purposes.





A	600 mm
B	850 mm
C	600 mm
D	690 mm
E	1190 mm

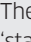
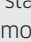
**NOTE**

The design and specifications are subject to change without notice for quality improvement purposes.

# Specifications


## According to Regulation (EU) No. 1061/2010

“ \* “ Asterisk(s) means variant model and can be varied (0-9) or (A-Z).

Samsung		
Model Name		P156*
Capacity	kg	9,0
Energy Efficiency		A+++
Annual energy consumption (It is based on 220 standard washing cycles for standard cotton course at 60 °C and 40 °C at full and partial load, and the consumption of off and left-on modes. Actual energy consumption will depend on how the appliance is used.)	kWh/yr	130
Energy Consumption		
The standard 60 °C cotton programme at full load	kWh	0.59
The standard 60 °C cotton programme at partial load	kWh	0.57
The standard 40 °C cotton programme at partial load	kWh	0.55
Weighted power consumption of the off-mode.	W	0.48
Weighted power consumption of the left-on mode.	W	10.00
Annual water consumption (It is based on 220 standard washing cycles for standard cotton course at 60 °C and 40 °C at full and partial load. Actual water consumption will depend on how the appliance is used.)	L/yr	9400
Spin efficiency class		
Spin-drying efficiency class on a scale from G (least efficient) to A (most efficient)		A
Maximum Spin Speed	rpm	1400
Residual moisture	%	44
The  <b>COTTON</b> 60 °C and  <b>COTTON</b> 40 °C programs are the 'standard cotton 60 °C program' and the 'standard cotton 40 °C program'. They are suitable to clean normally soiled cotton laundry and they are the most efficient (concerning water and energy consumption) for this type of laundry. In these programs the actual water temperature may differ from the declared temperature. Please run Calibration Mode after the installation (refer to the <b>Run Calibration (recommended)</b> section on page <26>).		
Program duration of the standard program		
The standard 60 °C cotton programme at full load	min	211
The standard 60 °C cotton programme at partial load	min	160
The standard 40 °C cotton programme at partial load	min	140
The duration of the left-on mode (TI)	min	8
Airborne acoustical noise emissions expressed in dB(A) re 1 pW and rounded to the nearest integer during the washing and spinning phases for the standard 60 °C cotton programme at full load;		
Wash	dB (A) re 1 pW	49
Spin	dB (A) re 1 pW	73
Free Standing		

Program duration may vary depending on the water supply conditions, and the load and type of laundry.

## Information of main washing programmes

Model	Course	Temperature (°C)	Capacity (kg)	Program Time (min)	Residual Moisture Content (%)	Water Consumption (L/cycle)	Energy Consumption (kWh/Cycle)
P156*	COTTON	20	4.5	79	56	60	0.23
	 COTTON	40	4.5	140	44	40	0.55
		60	4.5	160	44	40	0.57
			9.0	211	44	46	0.59
	SYNTHETICS	40	4.0	134	35	66	0.68

The values on the table have been measured under the conditions specified in Standard IEC60456/EN60456. Actual values will depend on how the appliance is used.

**QUESTIONS OR COMMENTS?**

COUNTRY	CALL	OR VISIT US ONLINE AT
IRAN	021-8255 [CE] 021-42132 [HHP]	<a href="http://www.samsung.com/iran/support">www.samsung.com/iran/support</a>



DC68-03889T-00

# ماشین لباسشویی

راهنمای استفاده کننده

P156\*

**SAMSUNG**



DC68-03889T-00

# فهرست مطالب

۴	<b>اطلاعات ایمنی</b>
۴	در مورد دستورات ایمنی به چه اطلاعاتی نیاز دارید
۴	نمادهای ایمنی مهم
۵	اقدامات احتیاطی ایمنی مهم
۱۴	<b>نصب</b>
۱۴	محتویات
۱۴	الزامات نصب
۱۸	نصب مرحله به مرحله
۲۴	<b>قبل از شروع</b>
۲۴	تنظیمات اولیه
۲۴	رهنمودهای لباسشویی
۲۹	دستورالعمل‌های کشوی ماده شوینده
۳۴	<b>عملکردها</b>
۳۲	پنل کنترل
۳۴	مراحل آسان برای شروع
۳۵	کلیات چرخه
۳۸	قابلیت‌های ویژه
۴۰	تنظیمات
۴۲	SmartThings
۴۴	<b>نگهداری</b>
۴۴	Eco Drum Clean <sup>+</sup> (نظافت اقتصادی مخزن)
۴۷	Smart Check <sup>+</sup>
۴۸	تخلیه اضطراری
۴۹	تمیز کردن
۵۳	<b>نگهداری</b>
۵۳	برطرف کردن یخ‌زدگی
۵۳	مراقبت درخصوص زمان طولانی استفاده نامناسب
۵۴	<b>عیب‌یابی</b>
۵۴	نقاط بازرسی
۵۹	کدهای اطلاعاتی



---

۶۶	مشخصات
۶۶	جدول مراقبت از پارچه
۶۵	محافظت از محیط زیست
۶۶	برگه مشخصات
۶۹	اطلاعات چرخه‌های اصلی نشستشو



## اطلاعات ایمنی

برای خرید ماشین لباسشویی سامسونگ، به شما تبریک می‌گوییم. این دفترچه راهنما حاوی اطلاعات مهمی در مورد نصب، استفاده و مراقبت از ماشین لباسشویی شماست. لطفاً برای مطالعه این دفترچه راهنما وقت صرف کنید تا از مزایا و ویژگی‌های بسیار زیاد ماشین لباسشویی تان کاملاً بهره‌مند شوید.

### در مورد دستورات ایمنی به چه اطلاعاتی نیاز دارید

لطفاً این دفترچه راهنما را به‌طور کامل مطالعه کنید تا مطمئن شوید که با نحوه استفاده ایمن و بهینه از ویژگی‌ها و عملکردهای دستگاه جدیدتان آشنایی دارید. لطفاً این دفترچه را در یک محل امن در نزدیکی دستگاه برای مراجعه در آینده نگه دارید. از این ماشین صرفاً به منظوری که در این دفترچه راهنما توضیح داده شده استفاده کنید.

هشدارها و دستورات ایمنی مهم در این دفترچه راهنما همه شرایط و موقعیت‌هایی که ممکن است اتفاق بیافتند را پوشش نمی‌دهند. شما مسئول هستید که در هنگام نصب، نگه‌داری و استفاده از ماشین لباسشویی، قضاوت صحیح، احتیاط و مراقبت را مد نظر داشته باشید. چون دستورات استفاده زیر مربوط به مدل‌های گوناگون می‌شوند. خصوصیات ماشین لباسشویی شما ممکن است قدری از ویژگی‌هایی که در این دفترچه راهنما توضیح داده شده متفاوت باشند و ممکن است همه علائم هشدار اطلاق‌پذیر نباشند. اگر سوال یا دغدغه‌ای دارید، با نزدیک‌ترین مرکز تعمیراتی خود تماس گرفته یا راهنمایی و اطلاعات آنلاین را در [www.samsung.com](http://www.samsung.com) پیدا کنید.

### نمادهای ایمنی مهم

نمادها و علائم در این دفترچه راهنمای استفاده‌کننده چه معنی می‌دهند:



هشدار

خطرات ویا روال‌های خطرناک که ممکن است موجب صدمه شخصی شدید، مرگ و/یا خسارت مالی شوند.



احتیاط

خطرات ویا روال‌های خطرناک که ممکن است موجب صدمه شخصی و/یا خسارت مالی شوند.



توجه

نشان می‌دهد که خطر صدمه به فرد یا آسیب عمده وجود دارد.





این علائم اخطار برای جلوگیری از آسیب به شما و دیگران هستند.  
 لطفاً به طور صریح از آنها پیروی کنید.  
 پس از مطالعه این دفترچه، آن را برای مراجعه در آینده در یک محل امن نگه دارید.  
 همه دستورالعمل‌ها را قبل از استفاده از دستگاه مطالعه کنید.

مثل هر دستگاه دیگری که از برق و قطعات متحرک استفاده می‌کند، احتمال خطر وجود دارد. برای استفاده بی‌خطر از این دستگاه، با طرز استفاده آن آشنا شده و در هنگام استفاده از آن مراقب باشید.

## اقدامات احتیاطی ایمنی مهم

⚠ هشدار

برای کاهش خطر آتش‌سوزی، شوک الکتریکی یا آسیب دیدن افراد در هنگام استفاده از دستگاه خود، اقدامات احتیاطی اصلی از جمله موارد زیر را رعایت کنید:

۱. این دستگاه برای استفاده توسط اشخاصی (شامل کودکانی) که توانایی‌های جسمی، حسی یا عقلانی محدود دارند یا فاقد تجربه و آگاهی هستند در نظر گرفته نشده است. مگر اینکه در هنگام استفاده از این دستگاه، شخصی مسئول ایمنی آنها بر کارشان نظارت کرده و آنها را راهنمایی کند.
۲. جهت استفاده در اروپا: کودکان به سن ۸ سال به بالا و اشخاصی که معلولیت‌های جسمانی، حسی و روانی دارند یا از تجربه و دانش کافی برخوردار نیستند در صورتی می‌توانند از این ماشین استفاده کنند که نظارت و دستورات لازم را در رابطه با استفاده ایمن از این ماشین دریافت کرده و از خطرات مربوطه آگاه باشند. کودکان نباید با این ماشین بازی کنند. تمیز کردن و حفظ و نگهداری توسط استفاده‌کننده بدون نظارت کافی توسط کودکان انجام نخواهد شد.
۳. کودکان بایستی سرپرستی شوند تا اطمینان حاصل شود که با دستگاه بازی نمی‌کنند.
۴. اگر سیم برق آسیب دیده است، باید توسط تولیدکننده، نمایندگی مجاز خدمات وی یا افراد واجد شرایط تعویض شود تا از بروز خطر اجتناب گردد.



## اطلاعات ایمنی

۵. باید از مجموعه شلنگ جدید ارائه شده به همراه دستگاه استفاده شود و مجموعه شلنگ قدیمی نباید مورد استفاده مجدد قرار گیرد.
۶. در مورد دستگاه‌های دارای منافذ تهویه در قسمت پایین، فرش نباید این منافذ را بپوشاند.
۷. جهت استفاده در اروپا: کودکان کوچکتر از ۳ سال باید از آن دور نگهداشته شوند. مگر اینکه دائماً تحت نظارت باشند.

### ⚠ احتیاط

۸. به منظور اجتناب از خطر ناشی از فعال شدن ناخواسته فیوز حرارتی، برق دستگاه نباید از طریق یک دستگاه قطع‌کن خارجی نظیر تایمر تأمین گردد. یا به مداری متصل باشد که به‌طور دائم توسط چنین ابزاری خاموش و روشن می‌شود.

## هشدارهای مهم نصب

### ⚠ هشدار

- نصب این ماشین بایستی توسط یک تکنیسین مجرب یا شرکت خدماتی انجام شود.
- قصور در چنین کاری ممکن است موجب شوک برقی، آتشسوزی، انفجار، مشکلاتی با محصول یا مصدومیت شود.
- این دستگاه سنگین است. بنابراین هنگام بلند کردن آن مراقب باشید.
- سیم برق را به پریز برقی بزنید که الزامات برق منطقه شما را برآورده کند. برای این دستگاه فقط از پریز استفاده کنید و از سیم رابط استفاده ننمایید.
- استفاده همزمان از یک پریز با دستگاه‌های دیگر با استفاده از یک نوار برق ویا امتداد دادن سیم برق ممکن است منجر به شوک برقی یا آتشسوزی شود.
- مطمئن شوید که ولتاژ برق، فرکانس و جریان برق با مشخصات محصول یکسان هستند. قصور در انجام اینکار ممکن است منجر به شوک برقی یا آتشسوزی شود. دوشاخه را به‌طور محکم به پریز بزنید.
- همه مواد خارجی از قبیل گردوغبار یا آب را با استفاده از یک پارچه خشک به‌طور مرتب از خارها و نقاط تماس دوشاخه پاک کنید.
- دوشاخه را از پریز بیرون آورده و آنرا با یک پارچه خشک تمیز کنید.
- قصور در انجام اینکار ممکن است منجر به شوک برقی یا آتشسوزی شود.



- دوشاخه را به پریز بزنید به طوری که سیم به سمت کف اتاق باشد.
- اگر دوشاخه را در جهت مخالف به پریز بزنید، سیم های برق در داخل کابل ممکن است صدمه دیده و این موضوع ممکن است منجر به شوک برقی یا آتشسوزی شود.
  - همه مواد بسته بندی را از دسترس کودکان دور نگه دارید چرا که ممکن است خطرناک باشند.
  - اگر یک کودک کیسه ای را روی سرش بکشد، ممکن است منجر به خفگی شود.
  - هنگامیکه ماشین یا دوشاخه یا سیم برق آسیب دیده، با نزدیک ترین مرکز تعمیراتی خود تماس بگیرید.
  - این ماشین بایستی به طور صحیح زمینی شود.
  - ماشین را با وصل کردن به لوله گاز، لوله پلاستیکی آب یا خط تلفن زمینی نکنید.
  - چنین کاری ممکن است منجر به شوک برقی، آتشسوزی، انفجار یا مشکلاتی با محصول شود.
  - هرگز سیم برق را به پریزی نزنید که به طور صحیح زمینی نشده و مطمئن شوید که اینکار برطبق قوانین محلی و ملی انجام شده باشد.
  - این ماشین را نزدیک یک بخاری یا مواد قابل اشتعال نصب نکنید.
  - این ماشین را در یک محل مرطوب، چرب یا گردگرفته، در محلی که در معرض نور خورشید و آب (قطره های باران) است نصب نکنید.
  - این دستگاه را در محلی که در معرض دماهای پایین است نصب نکنید.
  - یخ زدگی ممکن است منجر به ترکیدن لوله ها شود.
  - این دستگاه را در محلی که گاز ممکن است نشست کند نصب نکنید.
  - چنین کاری ممکن است موجب آتشسوزی یا شوک برقی شود.
  - از یک ترانسفورماتور برقی استفاده نکنید.
  - چنین کاری ممکن است موجب آتشسوزی یا شوک برقی شود.
  - از دوشاخه آسیب دیده، سیم برق آسیب دیده یا پریز شل شده استفاده نکنید.
  - چنین کاری ممکن است موجب آتشسوزی یا شوک برقی شود.
  - سیم برق را نکشید یا زیادی خم نکنید.
  - سیم برق را نپیچانید یا گره نزنید.
  - سیم برق را به یک شیئی فلزی قلاب نکنید. شیئی سنگینی را روی سیم برق نگذارید یا سیم برق را در فضای پشت ماشین فشار ندهید.
  - چنین کاری ممکن است موجب آتشسوزی یا شوک برقی شود.
  - سیم برق را در هنگام بیرون کشیدن دوشاخه نکشید.
  - دوشاخه را در حالیکه آنرا گرفته اید از پریز بیرون بکشید.
  - قصور در انجام اینکار ممکن است منجر به شوک برقی یا آتشسوزی شود.
  - این وسیله نباید طوری قرار داده شود که دوشاخه برق، شیرهای آب و لوله های تخلیه در دسترس باشند.



## اطلاعات ایمنی

### احتیاط‌های مربوط به نصب

#### ⚠ احتیاط

- این دستگاه باید طوری قرار داده شود که پریز برق به آسانی قابل دسترسی باشد.
- فصول در انجام اینکار ممکن است به خاطر نشت برق منجر به شوک برقی یا آتشسوزی شود.
- ماشین را بر روی یک سطح صاف و سخت نصب کنید که توانایی تحمل وزن آنرا داشته باشد.
- فصول در انجام چنین کاری ممکن است موجب لرزش، حرکت، سروصدا و مشکلات غیرعادی برای این محصول شود.

### هشدارهای مهم استفاده

#### ⚠ هشدار

- اگر ماشین پر از آب شود، جریان آب و برق را فوراً قطع کرده و با نزدیک ترین مرکز تعمیراتی خود تماس بگیرید.
- با دست های خیس به دوشاخه دست نزنید.
- فصول در انجام اینکار ممکن است منجر به شوک برقی شود.
- اگر ماشین صداهای عجیب، بوی سوختگی یا دود ایجاد می کند، دوشاخه را فوراً کشیده و با نزدیک ترین مرکز تعمیراتی خود تماس بگیرید.
- فصول در انجام اینکار ممکن است منجر به شوک برقی یا آتشسوزی شود.
- در مواردی که گاز نشت می کند (از قبیل گاز پروپان، گاز LP و غیره)، فوراً بدون دست زدن به دوشاخه هواگیری کنید. به ماشین یا سیم برق دست نزنید.
- از پنکه برای هواگیری استفاده نکنید.
- یک جرقه ممکن است موجب انفجار یا آتشسوزی شود.
- به کودکان اجازه ندهید که بر روی ماشین لباسشویی یا داخل آن بازی کنند. علاوه بر این، هنگامیکه ماشین را به دور می اندازید، دسته درجه ماشین لباسشویی را جدا کنید.
- ممکن است کودکان در صوت حبس شدن در داخل محصول، دچار خفگی و مرگ شوند.
- مطمئن شوید که مواد بسته بندی (اسفنج، استیروفوم) که به زیر ماشین لباسشویی چسبانده شده را قبل از استفاده جدا کنید.
- اقلامی که به بنزین، نفت چراغ، بنزن، تینر رنگ، الکل یا مواد قابل اشتعال یا منفجره دیگر آغشته شده اند را نشویید.
- چنین کاری ممکن است موجب آتشسوزی، شوک برقی یا انفجار شود.



- هنگامیکه ماشین لباسشویی در حال کار است (شستشو/خشک کردن/گردش با دمای زیاد)، دریچه آنرا با فشار باز نکنید.
- آبی که از ماشین لباسشویی به بیرون جریان پیدا می کند ممکن است منجر به سوختگی شده یا موجب لیز شدن کف اتاق شود. اینکار ممکن است منجر به مصدومیت شود.
- باز کردن دریچه توسط اعمال فشار ممکن است منجر به آسیب به محصول یا مصدومیت شود.
- دست خود را در حالی که ماشین لباسشویی در حال کار است به زیر آن وارد نکنید.
- اینکار ممکن است منجر به مصدومیت شود.
- با دست های خیس به دوشاخه دست نزنید.
- اینکار ممکن است منجر به شوک برقی شود.
- ماشین را هنگامیکه کار می کند توسط کشیدن دوشاخه از پریز خاموش نکنید.
- زدن دوباره دوشاخه به پریز ممکن است موجب جرقه شده و منجر به شوک برقی یا آتشسوزی شود.
- اجازه ندهید کودکان یا افراد غیرمتعادل از این ماشین لباسشویی بدون نظارت مناسب استفاده کنند. به کودکان اجازه ندهید از این دستگاه بالا رفته یا به داخل آن بروند.
- چنین کاری ممکن است به شوک الکتریکی، سوختگی یا مصدومیت منجر شود.
- دست هایتان یا یک شیء فلزی را در حالیکه ماشین لباسشویی کار می کند به زیر آن وارد نکنید.
- اینکار ممکن است منجر به مصدومیت شود.
- دستگاه را با کشیدن سیم برق از پریز نکشید. همیشه دوشاخه را محکم بگیرید و آن را مستقیماً از پریز بیرون بکشید.
- صدمه دیدن سیم برق ممکن است منجر به اتصالی، آتشسوزی و/یا شوک الکتریکی شود.
- سعی نکنید که دستگاه را خودتان تعمیر یا اوراق کرده یا در آن تغییراتی ایجاد کنید.
- از هرگونه فیوز (از قبیل کوپر، سیم فولادی و غیره) به غیر از فیور استاندارد استفاده نکنید.
- هنگامی که دستگاه به تعمیر یا نصب مجدد نیاز دارد، با نزدیکترین مرکز خدمات خود تماس بگیرید.
- قصور در چنین کاری ممکن است موجب شوک برقی، آتشسوزی، مشکلاتی برای محصول یا مصدومیت شود.
- هنگامیکه لوله جریان آب از شیر شل شده و ماشین را پر از آب می کند، دوشاخه را بیرون بکشید.
- قصور در انجام اینکار ممکن است منجر به شوک برقی یا آتشسوزی شود.
- هنگامیکه برای مدت طولانی از ماشین استفاده نمی شود ویا در طول رعد و برق، دوشاخه را بیرون بکشید.
- قصور در انجام اینکار ممکن است منجر به شوک برقی یا آتشسوزی شود.
- اگر هرگونه ماده خارجی وارد دستگاه شد، سیم برق را بیرون بکشید و با نزدیکترین مرکز تعمیرات Samsung تماس بگیرید.
- چنین کاری ممکن است موجب آتشسوزی یا شوک برقی شود.
- اجازه ندهید کودکان (یا حیوانات خانگی) در داخل ماشین لباسشویی یا بر روی آن بازی کنند. درب ماشین لباسشویی به راحتی از داخل باز نمی شود و اگر در داخل آن گیر کند، ممکن است به طور جدی آسیب ببیند.



## اطلاعات ایمنی

### احتیاط‌های مربوط به استفاده

#### احتیاط

هنگامیکه ماشین لباسشویی به مواد خارجی از قبیل ماده لباسشویی، کثافت، ذرات غذا و غیره آغشته شده، دوشاخه را بیرون کشیده و ماشین لباسشویی را با استفاده از یک پارچه نم دار نرم تمیز کنید.

- قصور در انجام اینکار ممکن است منجر به رنگ رفتگی، تغییر شکل، آسیب یا زنگ زدگی شود.
- ضربه شدید ممکن است شیشه جلوی ماشین را بشکند. هنگام استفاده از ماشین لباسشویی مراقب باشید.
- شکسته شدن شیشه، ممکن است منجر به مصدومیت شود.
- پس از اینکه جریان آب قطع شد با هنگام وصل کردن مجدد لوله جریان آب، شیر آب را به آهستگی باز کنید.
- پس از اینکه برای مدت طولانی از ماشین استفاده نکردید، شیر آب را به آهستگی باز کنید.
- فشار هوا در لوله جریان آب یا لوله آب ممکن است منجر به آسیب به یک قطعه ماشین یا نشت آب شود.
- اگر در حین کار کردن یک خطای تخلیه ایجاد شود، کنترل کنید که آیا مشکل تخلیه وجود دارد.
- اگر به خاطر مشکل تخلیه، ماشین لباسشویی پر از آب شده و در این مدت از آن استفاده شود، ممکن است شوک الکتریکی یا آتش‌سوزی رخ دهد.

- لباس‌ها را کاملاً به ماشین لباسشویی وارد کنید تا لباس‌ها به درجه گیر نکنند.
- اگر لباس‌ها به درجه گیر کنند، ممکن است موجب آسیب به لباس‌ها یا ماشین لباسشویی شود، یا موجب نشت آب شود.
- در هنگام عدم استفاده از ماشین لباسشویی، شیر آب را ببندید.
- مطمئن شوید که پیچ روی اتصال لوله جریان آب درست سفت شده باشد.
- قصور در انجام اینکار ممکن است منجر به آسیب به اموال یا مصدومیت شود.
- مراقب باشید که لاستیک دور درجه و شیشه درجه در جلو توسط مواد خارجی (از قبیل زباله، ریسمان، مو و غیره) آلوده نشده باشد.
- اگر مواد خارجی در درجه گیر کنند یا درجه به طور کامل بسته نشود، ممکن است موجب نشت آب شود.
- شیر آب را باز کرده و کنترل کنید که اتصال لوله جریان آب درست محکم شده باشد و قبل از استفاده، آبی از محصول نشت نمی‌کند.
- اگر پیچ‌ها یا اتصال لوله جریان آب شل شده باشند، ممکن است منجر به نشت آب شود.
- محصولی که خریداری کردید فقط برای استفاده خانگی طراحی شده است.



استفاده از آن برای مصارف جاری. حکم سوءاستفاده از محصول را دارد. در این صورت، محصول از شمول ضمانت استاندارد سامسونگ خارج شده و سامسونگ هیچگونه مسؤلیتی در قبال خرابی و صدمات ناشی از این سوءاستفاده برعهده نخواهد گرفت.

بر روی ماشین نایستید یا اشیائی را بر روی آن نگذارید (از قبیل لباس، شمع روشن، سیگار روشن، ظرف، مواد شیمیایی و فلزی و غیره).

- چنین کاری ممکن است منجر به شوک برقی، آتشسوزی، مشکلاتی برای محصول یا مصدومیت شود.

مواد فرار از قبیل حشره کش ها را روی سطح ماشین اسپری نکنید.

- اینکار علاوه براینکه برای انسان مضر است، ممکن است منجر به شوک برقی، آتشسوزی یا مشکلاتی برای محصول شود.

شیئی که حوزه الکترومغناطیسی تولید می کند را در نزدیکی ماشین لباسشویی قرار ندهید.

- اینکار ممکن است منجر به مصدومیت به خاطر درست کار نکردن شود.

آب تخلیه شده در حین شستشو با درجه حرارت بالا یا چرخه خشک کردن، داغ است، به آب دست نزنید.

- اینکار ممکن است منجر به سوختگی یا مصدومیت شود.

تشک روی صندلی، کفپوش یا لباس ضدآب (\*) را نشوید. گردش ندهید یا خشک نکنید. مگر اینکه ماشین شما برنامه خاصی برای شستشوی این اقلام داشته باشد.

(\*): ملافه های پشمی، بارانی، لباس های ماهیگیری، شلوار اسکی، کیسه خواب، پوشش پوشک، پلیور و پوشش دوچرخه، موتورسیکلت، اتومبیل و غیره.

- کفپوش های ضخیم و سخت را نشوید حتی اگر علامت ماشین لباسشویی روی برجسب مراقبت باشد. اینکار ممکن است به واسطه لرزش های غیرعادی منجر به مصدومیت یا آسیب به ماشین لباسشویی، دیوارها، کف اتاق یا لباس ها شود.

- فرشها یا پادریهایی که پشت آنها لاستیکی است را نشوید. ممکن است قسمت لاستیکی جدا شود و به داخل مخزن بچسبند. در این صورت ممکن است اشکالاتی نظیر خطای تخلیه رخ دهد.

هنگامی که کثوفی ماده شوینده از ماشین جدا شده از ماشین لباسشویی استفاده نکنید.

- اینکار ممکن است به واسطه نشت آب، منجر به شوک برقی یا مصدومیت شود.

در حین خشک کردن یا درست بعد از آن به داخل تشت دست نزنید چون داغ است.

- اینکار ممکن است منجر به سوختگی شود.

دست خود را داخل کثوفی ماده شوینده نبرید.

- اینکار ممکن است منجر به مصدومیت شود چون ممکن است دست شما به ابزار ورود ماده لباسشویی گیر کند.

- راهنمای مایع شوینده (فقط برخی مدلها) برای پودر شوینده مورد استفاده قرار نمیگیرد. در هنگام استفاده از پودر شوینده، راهنما را بیرون بیاورید.

هیچگونه شیئی (از قبیل کفش، غذا، حیوانات) را به غیر از لباس در داخل ماشین لباسشویی قرار ندهید.

- اینکار ممکن است منجر به آسیب وارد شدن به ماشین لباسشویی، یا به واسطه لرزش های غیرعادی موجب مصدومیت یا مرگ حیوان خانگی شود.



## اطلاعات ایمنی

- دکمه‌ها را با استفاده از اشیاء تیز از قبیل سوزن، کارد، ناخن و غیره فشار ندهید.
- چنین کاری ممکن است منجر به شوک برقی یا مصدومیت شود.
- لباس‌هایی که آغشته به روغن، کرم یا لوسیونی که معمولاً در مغازه‌های مراقبت پوست یا کلینیک‌های ماساژ یافت می‌شوند را نشویید.
- ممکن است لاستیک دور درب تغییر شکل داده و منجر به نشت آب شود.
- نگذارید اشیاء فلزی از قبیل سنجاق قفلی یا سنجاق سر یا ماده سفید کننده به مدت طولانی در مخزن بمانند.
- ممکن است این کار منجر به زنگ‌زدگی مخزن گردد.
- اگر سطح مخزن شروع به زنگ‌زدگی کرد، یک ماده پاک‌کننده (خنثی) به سطح مالید و از یک اسفنج برای تمیز کردن آن استفاده کنید. هرگز از یک برس فلزی استفاده نکنید.
- از ماده لباسشویی مستقیماً استفاده نکنید و لباس‌هایی که آغشته به ماده لباسشویی خشک هستند را نشویید. آبکشی نکنید یا گردش ندهید.
- اینکار ممکن است به واسطه گرمای اکسیده شدن روغن، منجر به اشتعال یا احتراق آبی شود.
- از آب دستگاه‌های آبسردکن/آبگرم‌کن استفاده نکنید.
- اینکار ممکن است منجر به مشکلاتی برای ماشین لباسشویی شود.
- از صابون طبیعی شستشوی دست برای ماشین لباسشویی استفاده نکنید.
- اگر سخت شده و در داخل ماشین لباسشویی جمع شود، ممکن است منجر به مشکلاتی برای محصول، رنگ رفتگی، زنگ زدگی یا بوی بد شود.
- جوراب و کمرست‌ها را در تور لباسشویی قرار داده و به همراه لباس‌های دیگر بشویید.
- اقلام بزرگ از قبیل ملافه را در تور لباسشویی نشویید.
- قصور در انجام اینکار ممکن است به واسطه لرزش‌های غیرعادی منجر به آسیب شود.
- از ماده لباسشویی سفت شده استفاده نکنید.
- اگر در داخل ماشین لباسشویی جمع شود، ممکن است منجر به نشت آب شود.
- مطمئن شوید که جیب‌های همه لباس‌هایی که شسته می‌شوند خالی شده باشند.
- اشیاء سخت و تیز از قبیل سکه، سنجاق قفلی، میخ، پیچ ویا سنگ ممکن است به این دستگاه آسیب جدی وارد کنند.
- سعی نکنید لباس‌هایی که سگک، دکمه بزرگ ویا هرگونه شیء فلزی سنگین دارند را بشویید.
- لباس‌ها را بر اساس رنگ و از نظر ثبات رنگ دسته‌بندی کنید و چرخه، درجه حرارت آب و سایر عملکردهای مورد توصیه را انتخاب نمایید.
- ممکن است این کار منجر به رنگ‌پریدگی یا آسیب پارچه شود.
- مراقب باشید که در هنگام بستن درب، انگشتان کودک لای آن گیر نکند.
- ممکن است عدم انجام این کار منجر به آسیب‌دیدگی شود.





## هشدارهای مهم تمیز کردن

هشدار 

- ماشین را توسط پاشیدن آب به طور مستقیم بر روی آن تمیز نکنید.  
از مواد تمیز کننده ای که حاوی اسید قوی هستند استفاده نکنید.  
از بنزن، تینر یا الکل برای تمیز کردن ماشین استفاده نکنید.
- چنین کاری ممکن است منجر به رنگ رفتگی، تغییر شکل، آسیب، آتشسوزی یا شوک برقی شود.  
قبل از تمیز کردن یا انجام عملیات حفظ و نگهداری، ماشین را از پریز روی دیوار بکشید.
  - قصور در انجام اینکار ممکن است منجر به شوک برقی یا آتشسوزی شود.

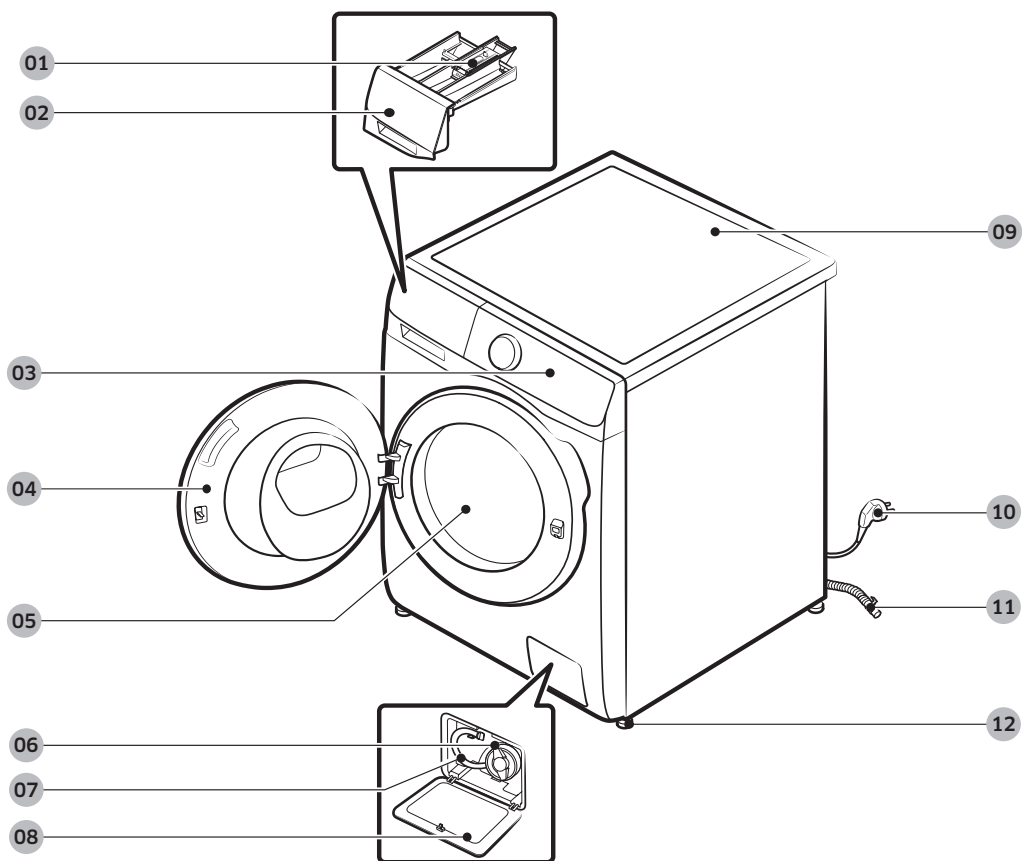


## نصب

برای اطمینان از نصب صحیح ماشین لباسشویی و جلوگیری از بروز حادثه در هنگام شستن لباس‌ها، این دستورالعمل‌ها را به دقت رعایت نمایید.

### محتویات

اطمینان حاصل کنید که تمام قطعات در بسته‌بندی محصول گنجانده شده باشد. اگر با ماشین لباسشویی یا قطعات آن مشکلی دارید، با مرکز خدمات مشتریان Samsung در منطقه خود یا با فروشنده تماس بگیرید.



۰۱	اهرم خلاص	۰۲	کشتوی ماده لباسشویی	۰۳	پنل کنترل
۰۴	دریچه	۰۵	مخزن	۰۶	فیلتر پمپ
۰۷	لوله تخلیه اضطراری	۰۸	پوشش فیلتر	۰۹	صفحه رومیزی
۱۰	دوشاخه برق	۱۱	لوله تخلیه	۱۲	پایه تراز کردن

\* طراحی کشتو و/یا اهرم می‌تواند در مدل‌های مختلف با هم تفاوت داشته باشد.



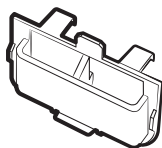
راهنمای لوله



درپوش پیچ



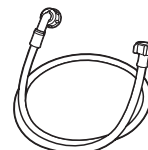
آچار



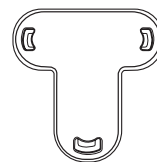
راهنمای شوینده مایع  
(تنها در بعضی مدل‌ها)



شلنگ آب گرم



شلنگ آب سرد



سرپوش

#### توجه

- درپوش پیچ: تعداد درپوش‌های پیچ عرضه شده (۳ تا ۶ عدد) به مدل دستگاه بستگی دارد.
- شلنگ آب گرم: تنها در مورد برخی مدل‌ها.
- راهنمای شوینده مایع: تنها در مورد برخی مدل‌ها.



## الزامات نصب

### جریان برق و ارت کردن

- وجود فیوز یا مدارشکن ۲۲۰ تا ۲۴۰ ولت / ۵۰ هرتز الزامی است
- از مدار برق مختص به ماشین لباسشویی استفاده کنید
- برای اطمینان از ارت کردن صحیح، ماشین لباسشویی به همراه سیم برقی عرضه میشود که دارای سه شاخه ارت شده جهت استفاده در پریزی است که به طور صحیح نصب و ارت شده باشد.
- اگر در مورد ارت کردن تردید دارید، از تکنیسین یا سرویسکار مجاز راهنمایی بخواهید.
- دوشاخه ارائه شده را دستکاری نکنید. اگر متناسب با پریز نیست، با یک تکنیسین مجاز تماس بگیرید تا پریز مناسب را نصب کند.

### ⚠ هشدار

- از سیم رابط استفاده نکنید.
- فقط از سیم برقی استفاده کنید که به همراه ماشین لباسشویی عرضه می شود.
- سیم ارت را به لوله های پلاستیکی آب، لوله های گاز و یا لوله های آب گرم متصل نکنید.
- ممکن است نصب نامناسب رابط های ارت منجر به شوک الکتریکی شود.

### جریان آب

فشار آب مناسب برای این ماشین لباسشویی بین ۵۰ کیلوپاسکال و ۸۰۰ کیلوپاسکال می باشد. ممکن است فشار آب کمتر از ۵۰ کیلوپاسکال آب باعث گردد درجه آب به طور کامل بسته نشود. یا ممکن است پر کردن مخزن بیشتر طول بکشد و در نتیجه باعث خاموش شدن ماشین لباسشویی گردد. شیرهای آب باید ۱۲۰ سانتی متر از پشت ماشین لباسشویی فاصله باشند تا لوله های ورودی تأمین شده به ماشین لباسشویی برسند.

### برای کاهش خطر نشت:

- مطمئن شوید که شیرهای آب به راحتی در دسترس باشند.
- بستن شیر آب هنگامیکه از ماشین لباسشویی استفاده نمی شود.
- به طور منظم وجود نشت را در اتصالات شلنگ های آب ورودی بررسی نمایید.

### ⚠ احتیاط

قبل از استفاده از ماشین لباسشویی برای اولین بار، همه اتصالاتی ها را در درجه و شیرهای آب برای نشت کنترل کنید.

### تخلیه

Samsung استفاده از یک لوله قائم به بلندی ۶۰ تا ۹۰ سانتی متر را توصیه می کند. شلنگ تخلیه باید توسط گیره لوله تخلیه به لوله قائم متصل شود و لوله قائم باید شلنگ تخلیه را به طور کامل بیوشاند.

### کف اتاق

برای عملکرد بهتر، ماشین لباسشویی بایستی بر روی زمینی که به طور محکم احداث شده نصب شود. ممکن است لازم باشد که کف چوبی مستحکم شود تا لرزش و/یا توده های لباس نامتوازن را به حداقل برساند. زمین مفروش و سطوحی که کاشی نرم دارند عواملی در مقابل لرزش مقاومت خوبی ندارند و ممکن است موجب شوند که ماشین لباسشویی در حین چرخه گردش قدری حرکت کند.

### ⚠ احتیاط

ماشین لباسشویی را بر روی سکو یا سطحی که تکیه‌گاه خوبی ندارد، نصب نکنید.

### دمای آب

ماشین لباسشویی را در محل‌هایی که ممکن است آب یخ بزند نصب نکنید چون ماشین لباسشویی همیشه مقداری آب را در دریچه‌های آب، پمپ و لوله نگه می‌دارد. ممکن است آب یخزده در قطعات متصل کننده باقی بماند و به تسمه‌ها، پمپ و اجزای دیگر آسیب برساند.

### نصب در محل تنگ و یا کم‌د

حداقل فاصله جهت عملکرد پایدار:

طرفین	۲۵ میلی‌متر
بالا	۲۵ میلی‌متر
پشت	۵۰ میلی‌متر
جلو	۵۵۰ میلی‌متر

اگر ماشین لباسشویی و ماشین خشک‌کن در یک‌جا نصب شود، در جلوی محل نصب یا کابینت باید حداقل ۵۵۰ میلی‌متر فضای باز مسدود نشده وجود داشته باشد. ماشین لباسشویی به تنهایی نیازی به فضای باز خاصی ندارد.

## نصب مرحله به مرحله

### مرحله ۱ انتخاب محل

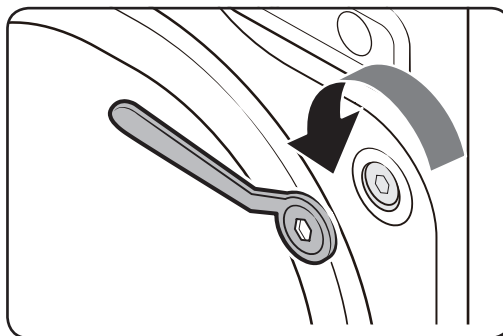
#### الزامات محل:

- سطحی محکم و تراز که فاقد فرش یا کفی باشد که ممکن است تهویه را مسدود کند
- دور از نور مستقیم خورشید باشد
- فضای کافی برای تهویه و سیم‌کشی
- دمای محیط باید همواره بالاتر از نقطه انجماد (۰ درجه سانتی‌گراد) باشد
- دور از منبع گرما باشد

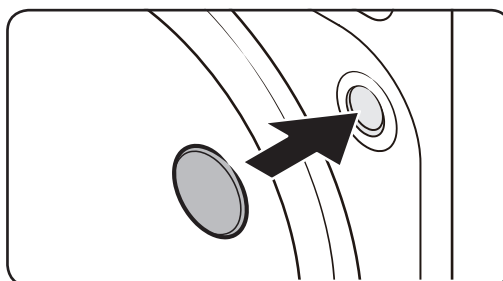
### مرحله ۲ جدا کردن پیچ‌های حمل و نقل

بسته‌بندی محصول را باز نموده و پیچ‌های حمل و نقل را خارج کنید.

۱. تمام پیچ‌های حمل و نقل در پشت ماشین را با استفاده از آچار ارائه شده، شل کنید.



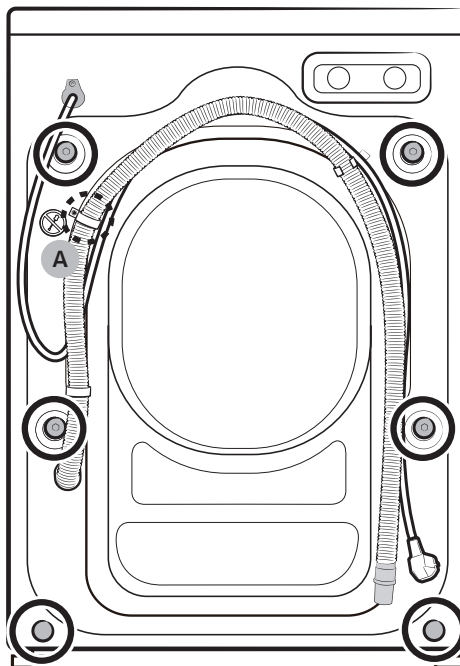
۲. سوراخ‌ها را با درپوش‌های پلاستیکی پیچ‌ها که عرضه شده‌اند پر کنید.  
پیچ‌های حمل و نقل را برای استفاده در آینده نگهدارید.



۳. تمام درپوش‌های پلاستیکی پیچ در پشت ماشین لباسشویی را ببندید.

⚠ احتیاط

پیچ (A) که باعث ثابت ماندن گیره شلنگ می‌شود را باز نکنید.

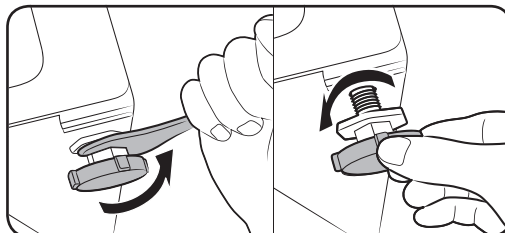


⚠ هشدار

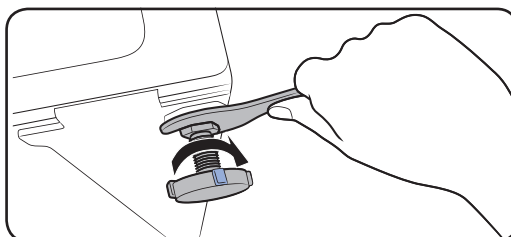
مواد بسته‌بندی می‌تواند برای کودکان خطرناک باشد. همه مواد بسته‌بندی (کیسه‌های پلاستیکی، پلی‌استایرن و غیره) را از دسترس کودکان دور نگه دارید.

## مرحله ۳ تنظیم پایه‌های تراز

۱. ماشین لباسشویی را به آرامی به سر جایش بلغزانید. وارد کردن نیروی بیش از حد ممکن است به پایه‌های تراز آسیب برساند.
۲. ماشین لباسشویی را با تنظیم کردن پایه‌های تراز، به‌طور دستی تراز کنید.



۳. هنگامی که تراز کردن انجام شد، مهره‌ها را با استفاده از آچار سفت کنید.

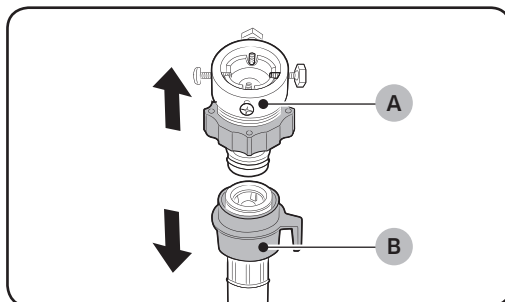


## مرحله ۴ وصل کردن شلنگ آب

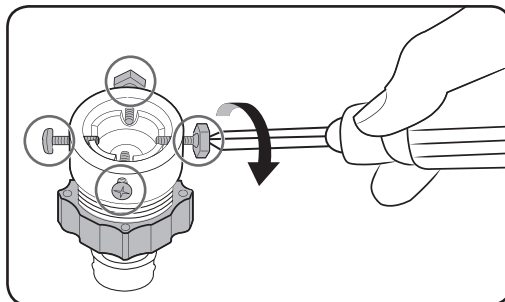
مکن است تبدیل شلنگ ارائه شده بسته به مدل متفاوت باشد. این مرحله نحوه متصل کردن تبدیل از نوع رابط را ارائه می‌کند. اگر تبدیلی که در اختیار شما است از نوع پیچی است، بروید به مرحله ۷.

شلنگ آب را به شیر آب وصل کنید.

۱. تبدیل (A) را از شلنگ آب (B) جدا کنید.



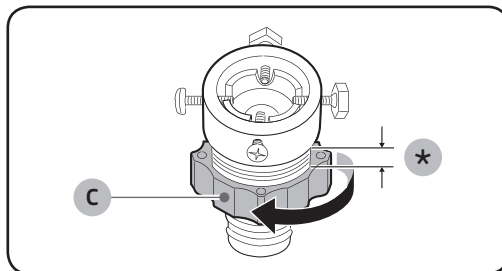
۲. ابتدا با استفاده از پیچ گوهی نوع "۴" چهار پیچ روی آداپتور را شل کنید.



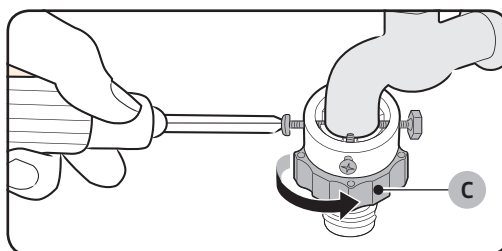




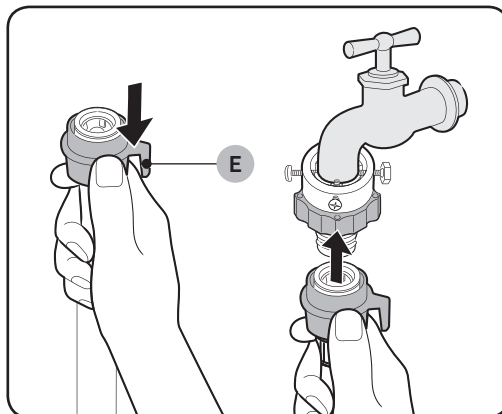
۳. تبدیل را نگهدارید و قطعه (C) را در جهت فلش بچرخانید تا به میزان ۵ میلی‌متر (\*) شل شود.



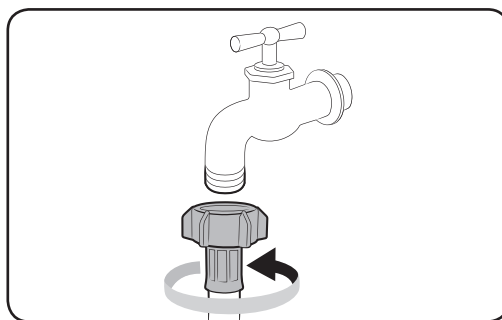
۴. تبدیل را وارد شیر آب کنید و در حین بالا نگهداشتن تبدیل، پیچ‌ها را سفت نمایید.  
۵. قطعه (C) را در جهت فلش بچرخانید تا سفت شود.



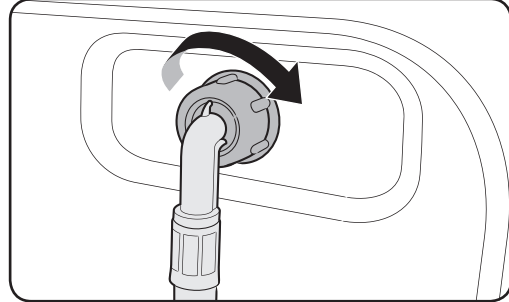
۶. در حین پایین نگهداشتن قطعه (E)، شلنگ آب را به تبدیل وصل کنید. سپس، قطعه (E) را آزاد کنید. وقتی شلنگ در تبدیل جا بخورد، صدای تق شنیده می‌شود.



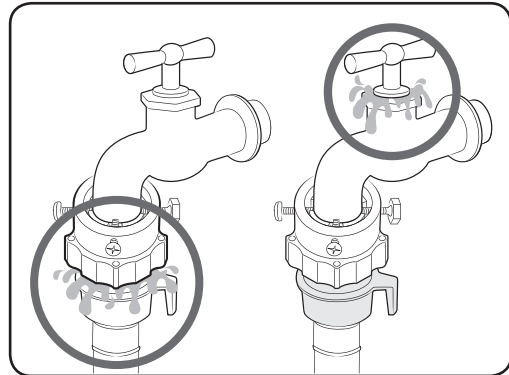
۷. اگر از شیر آب پیچی استفاده می‌کنید، طبق شکل از تبدیل پیچی ارائه شده برای وصل کردن آن به شیر آب استفاده نمایید.



۸. سر دیگر شلنگ آب را به دریچه ورودی در پشت ماشین لباسشویی متصل کنید. شلنگ را در جهت عقربه‌های ساعت بچرخانید تا سفت شود.



۹. شیر آب را باز کنید و بررسی کنید که آیا هیچ‌گونه نشتی در اطراف قسمت‌های اتصال رخ می‌دهد یا خیر. اگر آب نشت می‌کند، مراحل بالا را تکرار کنید.



### ⚠ هشدار

در صورت نشت آب، عملیات ماشین لباسشویی را متوقف کنید و دوشاخه برق را از پریز جدا کنید. سپس با مرکز خدمات سامسونگ شهر خود تماس بگیرید. در غیر این صورت، ممکن است شوک الکتریکی وارد شود.

### ⚠ احتیاط

شلنگ آب را به زور نکشید. اگر شلنگ زیادی کوتاه است، آن را با شلنگ فشار قوی بلندتری تعویض کنید.

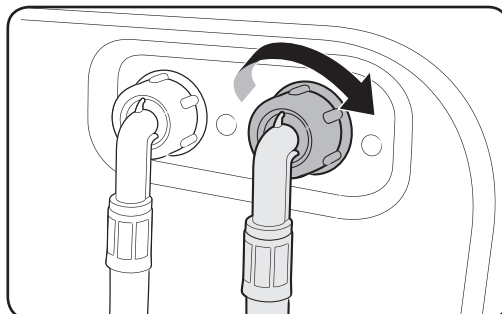
### 📄 توجه

- پس از متصل کردن شلنگ آب به تبدیل، با کشیدن شلنگ آب به سمت پایین، مطمئن شوید که به‌طور صحیح متصل شده باشد.
- از شیرهای آب رایج استفاده کنید. در صورتی که شیر چهارگوش بوده یا زیادی بزرگ است، رینگ فاصله‌انداز را قبل از وارد کردن شیر به داخل تبدیل خارج کنید.



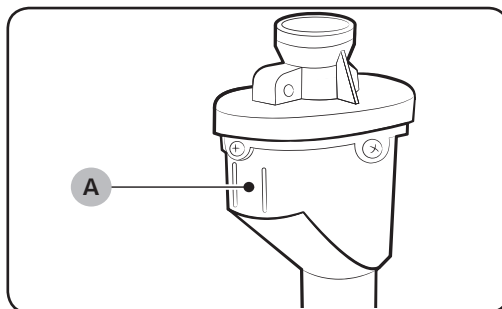
برای مدل‌های دارای ورودی آب گرم اضافی:

۱. سر قرمز شلنگ آب گرم را به ورودی آب گرم در پشت ماشین لباسشویی متصل کنید.
۲. سر دیگر شلنگ آب گرم را به شیر آب گرم متصل کنید.



شلنگ Aqua (فقط در برخی مدل‌ها)

شلنگ Aqua خطر نشت آب را به کاربران هشدار می‌دهد. جریان آب را بررسی می‌کند و در صورت وجود نشت نشانگر (A) وسط آن قرمز رنگ می‌شود.

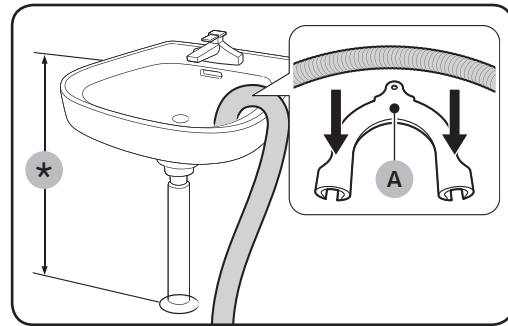


## مرحله ۵ قرار دادن شلنگ تخلیه

شلنگ تخلیه را می‌توان به سه صورت قرار داد:

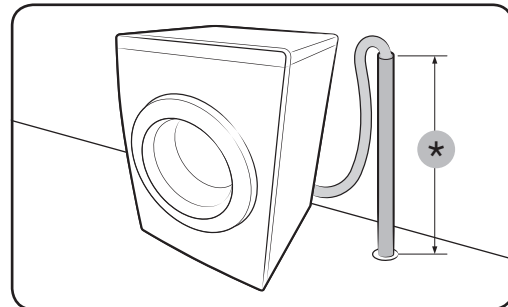
بر روی لبه ظرفشویی

شلنگ تخلیه باید در ارتفاع بین ۶۰ سانتی‌متری تا ۹۰ سانتی‌متری (\*) از کف قرار گیرد. برای خم نگهداشتن شلنگ تخلیه، از راهنمای شلنگ پلاستیکی (A) عرضه شده استفاده کنید. برای اطمینان از تخلیه صحیح و دائمی، راهنما را با استفاده از قلاب به دیوار محکم کنید.



در یک لوله تخلیه

لوله تخلیه باید بین ۶۰ سانتی‌متر تا ۹۰ سانتی‌متر ارتفاع (\*) داشته باشد. توصیه می‌شود از یک لوله عمودی به ارتفاع ۶۵ سانتی‌متر استفاده شود. اطمینان حاصل کنید که شلنگ تخلیه به‌طور مورب به لوله قائم متصل گردد.

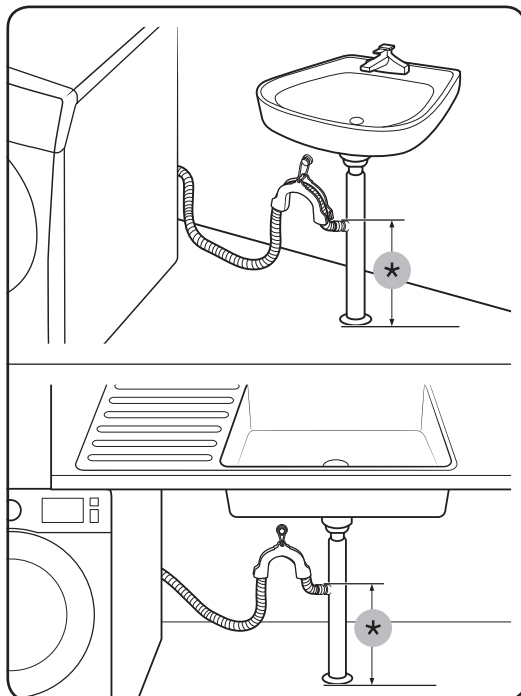


الزامات لوله قائم تخلیه:

- حداقل قطر ۵ سانتی‌متر
- حداقل ظرفیت خروجی ۶۰ لیتر در دقیقه



در یک شاخه لوله تخلیه ظرفشویی  
 شاخه لوله تخلیه بایستی در بالای سیفون ظرفشویی قرار داده شود  
 تا انتهای لوله حداقل ۶۰ سانتی متر بالای سطح زمین باشد.  
 (\*): ۶۰ سانتی متر



#### مرحله ۶ روشن کردن

سیم برق را به پریز بزنید. یک پریز برق ۲۲۰ تا ۲۴۰ ولت / ۵۰ هرتز مجاز که توسط یک فیوز یا مدار شکن محافظت شده است. سپس دکمه روشن/خاموش را فشار دهید تا ماشین لباسشویی روشن شود.



# قبل از شروع

## تنظیمات اولیه

اجرای کالیبراسیون (مورد توصیه)

کالیبراسیون تشخیص دقیق وزن توسط ماشین لباسشویی را تضمین می‌کند. قبل از اجرای کالیبراسیون اطمینان حاصل کنید که مخزن خالی باشد.

۱. ماشین لباسشویی را خاموش و سپس روشن کنید.
۲. دکمه‌های Temp. (دما) و Delay End (تأخیر شستشو) (یا Temp. (دما) و Delay End (تأخیر شستشو)) را به‌طور همزمان به مدت ۳ ثانیه پایین نگهدارید تا وارد حالت کالیبراسیون شوید. پیغام «Cb» ظاهر می‌شود.  
- ممکن است دکمه‌ها در مدل‌های مختلف متفاوت باشد. مدل خود را مشاهده نمایید.
۳. برای اجرای چرخه عملیات، دکمه شروع/مکث (برای شروع نگه دارید) را فشار دهید و نگه دارید. مخزن به مدت حدود ۳ دقیقه در جهت عقربه‌های ساعت و خلاف جهت عقربه‌های ساعت می‌چرخد.
۴. هنگامی که چرخه به پایان رسید، «» بر روی نمایشگر ظاهر می‌شود و ماشین لباسشویی به‌طور خودکار خاموش خواهد شد. حالا می‌توان از ماشین لباسشویی استفاده کرد.

## رهنمودهای لباسشویی

### مرحله ۱ دسته‌بندی

لباس‌ها را با توجه به این معیارها دسته‌بندی کنید:

- برچسب مراقبت: لباس‌ها را بر طبق الیاف نخی، پارچه‌های مخلوط، مصنوعی، ابریشمی، پشمی و رایون دسته‌بندی کنید.
- رنگ: لباس‌های سفید را از رنگی جدا کنید.
- اندازه: مخلوط کردن لباس‌های دارای اندازه‌های مختلف با هم در مخزن باعث بهبود عملکرد لباسشویی می‌شود.
- ظرافت: اقلام ظریف مانند اقلام پشمی خالص نو، پرده و ابریشمی را به‌طور جداگانه بشویید. برچسب روی آنها را بررسی کنید.

### توجه

قبل از شروع شستشو حتماً برچسب مراقبت روی لباس‌ها را بررسی کرده و آنها را بر این اساس دسته‌بندی نمایید.



## مرحله ۲ خالی کردن جیبها

همه جیبهای لباسها را خالی کنید

- مکن است اشیاء فلزی مانند سکه، سوزن قفلی و سگک لباس به لباسهای دیگر و همچنین به مخزن آسیب برساند.

لباسهای دارای دکمه و تزئینات را به داخل برگردانید

- اگر زیپ شلوار یا ژاکت در حین شستشو باز باشد، مکن است مخزن آسیب ببیند. زیپها باید بسته شده و قبل از شستشو با نخ محکم شوند.
- لباسهایی که بندهای دراز دارند مکن است به لباسهای دیگر پیچ بخورند. حتماً بندها را قبل از شستشو به هم گره بزنید.

## مرحله ۳ استفاده از تور لباسشویی

- سوتین (قابل شستشو در آب) را باید در تور لباسشویی قرار داد. مکن است قطعات فلزی سوتین لباسهای دیگر را پاره کنند.
- لباسهای کوچک و سبک از قبیل جوراب، دستکش، جوراب ساق بلند و دستمال مکن است به دور دریچه گیر کنند. آنها را داخل یک تور ظریف لباسشویی قرار دهید.
- تور لباسشویی را به تنهایی بدون لباسهای دیگر نشویید... این موضوع مکن است منجر به لرزشهای غیرعادی شود که قادر به حرکت دادن ماشین لباسشویی است و منجر به آسیب بدنی می شود.

## مرحله ۴ پیش شستشو (در صورت نیاز)

گزینه Prewash (پیش شستشو) را در صورتی انتخاب کنید که لباسها خیلی کثیف باشند. از گزینه Prewash (پیش شستشو) در هنگامی که ماده شوینده به طور دستی به مخزن اضافه می شود یا در هنگام افزودن شوینده مایع استفاده نکنید.

## مرحله ۵ مشخص کردن ظرفیت شستشو

ماشین لباسشویی را زیادی پر نکنید. مکن است اضافه بار باعث شود ماشین لباسشویی نتواند شستشو را به خوبی انجام دهد. جهت مشاهده ظرفیت شستشو بر اساس نوع لباس، نگاه کنید به صفحه ۳۵.

### توجه

هنگام شستشوی ملافه یا رویه تشک، مکن است زمان شستشو طولانی تر شود یا بهره وری چرخش تنزل پیدا کند. در مورد ملافه یا رویه تشک، حداکثر سرعت چرخه ۸۰۰ دور در دقیقه بوده و ظرفیت شستشو ۲/۰ کیلوگرم یا کمتر است.

### احتیاط

- مکن است لباسهای نامتوازن عملکرد چرخش را تنزل دهند.
- مطمئن شوید لباسها کاملاً داخل مخزن قرار گرفته و بین در گیر نکرده باشد.
- در را محکم نبندید. باید آن را با ملایمت ببندید. در غیر اینصورت مکن است در به درستی بسته نشود.



## قبل از شروع

### مرحله ۶ استفاده از ماده شوینده مناسب

نوع ماده شوینده به نوع پارچه (نخی، مصنوعی، اقلام ظریف، پشمی)، رنگ، دمای شستشو و مقدار کثیفی بستگی دارد. همیشه از ماده لباسشویی "کم کف" استفاده کنید که برای ماشین های لباسشویی خودکار طراحی شده است.

#### توجه

- توصیه های سازنده ماده شوینده را براساس وزن لباس ها، میزان کثیفی و سختی آب در منطقه خود رعایت کنید. اگر در مورد سختی آب مطمئن نیستید، با مسئولان آبرسانی منطقه خود تماس بگیرید.
- از ماده شوینده ای که سخت یا جامد می شود، استفاده نکنید. ممکن است این نوع ماده شوینده پس از چرخه آبکشی باقی مانده و خروجی تخلیه را مسدود کند.
- در صورتی که حباب های زیادی در طول چرخه ایجاد شود، پیام «Sud» نمایش داده می شود.

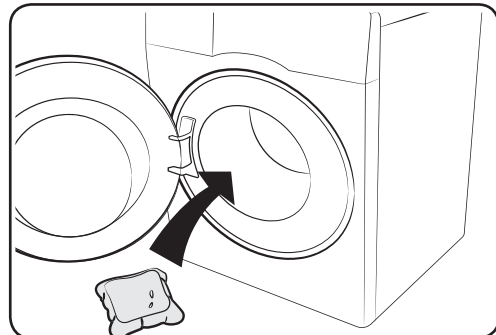
#### احتیاط

در هنگام شستن لباس پشمی با استفاده از روش شستشوی پشم، تنها از یک مایع شوینده خنثی استفاده کنید. در صورت استفاده از پودر شوینده در روش شستشوی پشم، ممکن است پودر بر روی لباس باقی مانده و باعث تغییر رنگ دادن آن شود.

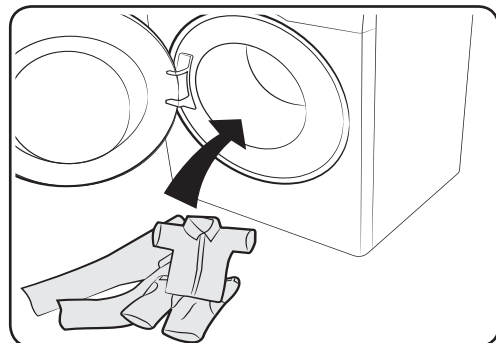
کپسول های شستشوی لباس

برای دستیابی به بهترین نتیجه استفاده از کپسول های شستشوی لباس، لطفاً این دستورالعمل ها را دنبال کنید.

۱. کپسول را در پایین محفظه خالی و در قسمت عقب آن قرار دهید.



۲. لباس ها را در محفظه و در بالای کپسول قرار دهید.



#### احتیاط

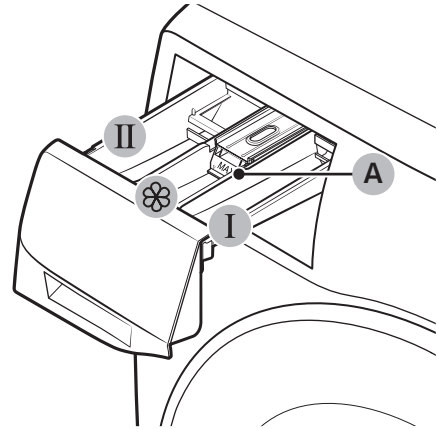
ممکن است کپسول در چرخه هایی که از آب سرد استفاده می کند یا چرخه هایی که کمتر از یک ساعت به اتمام می رسد حل نشود.



## دستورالعمل‌های کشوی ماده شوینده

ماشین لباسشویی یک محل توزیع سه قسمتی دارد: قسمت سمت چپ برای شستشوی اصلی، قسمت وسط برای نرم‌کننده پارچه و قسمت راست برای شستشوی اولیه.

۱. **I** محفظه پیش‌شستشو: ماده شوینده پیش‌شستشو یا آهار را وارد کنید.
۲. **II** محفظه شستشوی اصلی: ماده شوینده شستشوی اصلی، سختی‌گیر آب، ماده شوینده خیساندن، سفیدکننده، و/یا لکه‌برها را وارد کنید.
۳. **☼** محفظه نرم‌کننده: مواد افزودنی مانند نرم‌کننده پارچه را اضافه کنید. از خط حداکثر (A) تخطی نکنید.



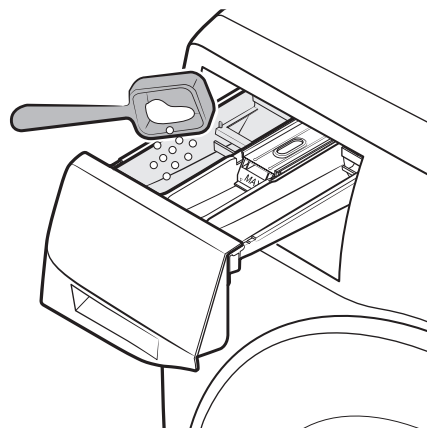
### ⚠ احتیاط

- کشوی ماده شوینده را در هنگامی که ماشین لباسشویی در حال کار است، باز نکنید.
- از انواع مواد شوینده زیر استفاده نکنید:
  - به شکل قرص یا کپسول
  - به شکل توپ یا توری
- برای جلوگیری از مسدود شدن محفظه، باید مواد غلیظ یا شدیداً غنی‌شده (نرم‌کننده پارچه یا ماده شوینده) قبل از ریخته شدن با آب رقیق شوند.
- پیش از حرکت دادن ماشین لباسشویی، مطمئن شوید که کشوی شوینده‌ای که ممکن است حاوی شوینده و/یا نرم‌کننده پارچه باشد را خالی کنید. ممکن است محتوای کشو روی زمین ریخته شود.

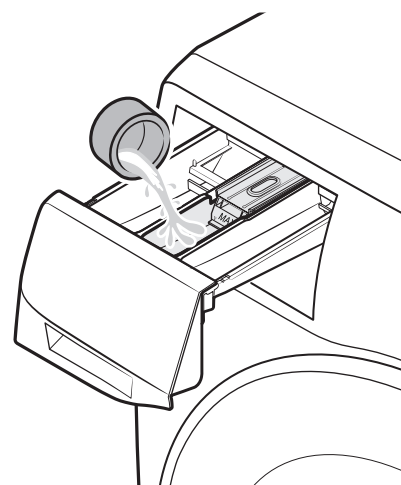
## قبل از شروع

افزودن مواد شوینده به پخش کننده دستی

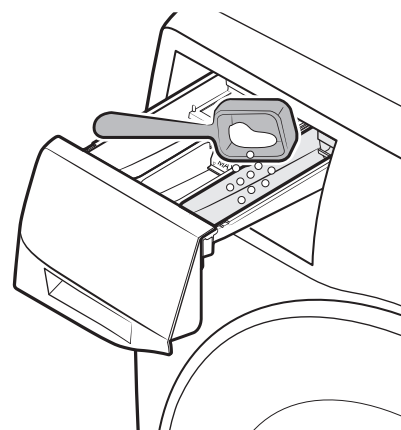
۱. کثوی ماده شوینده را بکشید تا باز شود.
۲. ماده شوینده لباس را به داخل **II** محفظه شستشو اصلی بریزید و این کار را بر اساس دستورات یا توصیه‌های سازنده انجام دهید. برای استفاده از ماده شوینده مایع، نگاه کنید به صفحه <۳۰>.




۳. نرم کننده پارچه را در **III** محفظه نرم کننده بریزید. از خط حداکثر تخطی نکنید.

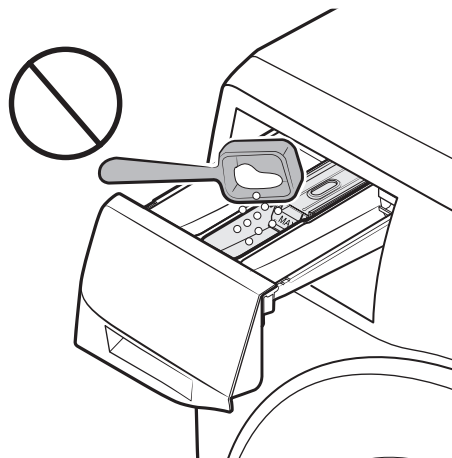


۴. اگر می‌خواهید پیش‌شستشو را انجام دهید، ماده شوینده پیش‌شستشو را به داخل **I** محفظه پیش‌شستشو بریزید و این کار را بر اساس دستورات یا توصیه‌های سازنده انجام دهید.
۵. کثوی ماده شوینده را ببندید.



⚠ احتیاط

- از ریختن شوینده پودری به راهنمای شوینده مایع خودداری کنید.
- نرم‌کننده پارچه غلیظ باید قبل از استفاده با آب رقیق شود.
- ماده شوینده شستشوی اصلی را در  محفظه نرم‌کننده نریزید.



استفاده از شوینده مایع به صورت دستی (تنها در بعضی مدل‌ها)

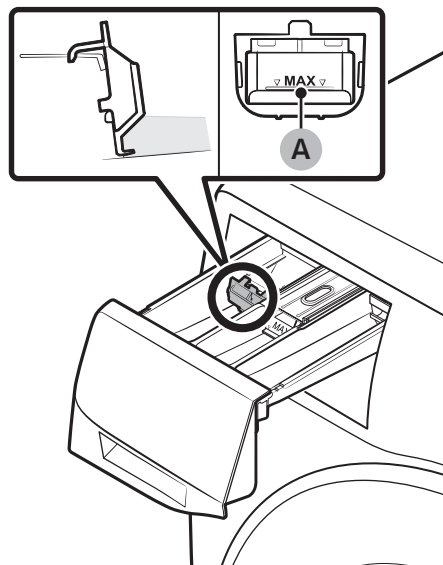
ابتدا محفظه مایع ارائه شده را در **II** محفظه شستشوی اصلی وارد کنید. سپس، ماده شوینده مایع را در محفظه تا زیر خط حداکثر (A) بریزید.

📄 توجه

- راهنمای مایع شوینده را فقط پس از خارج کردن کثوی مواد شوینده از ماشین لباسشویی با فشار دادن اهرم آزادسازی (A) وارد کنید.
- پس از شستشو، ممکن است مقداری مایع شوینده درون کثوی شوینده باقی بماند.

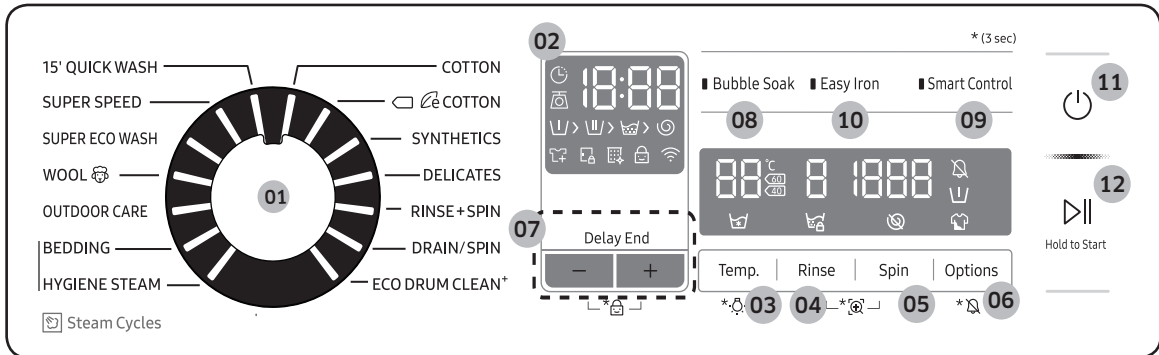
⚠ احتیاط

- از خط حداکثر که در داخل محفظه مشخص شده است، تخطی نکنید.
- در صورت استفاده از پودر شوینده، محفظه مایع را باز کنید.



# عملکردها

## پنل کنترل



01	گزينشگر چرخه	برای انتخاب یک چرخه عقربه را بچرخانید.
02	صفحه نمایش	صفحه نمایش اطلاعات چرخه فعلی و برآورد زمان باقی‌مانده یا یک کد اطلاعات را در صورت بروز مشکل نشان می‌دهد. برای اطلاعات بیشتر در مورد دکمه‌ها و آیکن‌ها به صفحه مناسب مراجعه نمایید.
03	Temp. (دما)	برای تغییر دمای آب جهت چرخه فعلی آن را فشار دهید. برای روشن/خاموش کردن چراغ مخزن، به مدت ۳ ثانیه فشار دهید و نگاه دارید. چراغ مخزن پس از ۲ دقیقه به صورت خودکار خاموش می‌شود.
04	Rinse (آبکشی)	جهت تغییر دادن تعداد آبکشی برای چرخه فعلی آن را فشار دهید. شما می‌توانید تعداد دفعات آبکشی را بسته به چرخه حداکثر روی ۵ تنظیم کنید.
05	Spin (چرخش)	برای تغییر سرعت چرخش جهت چرخه فعلی آن را فشار دهید. دور در دقیقه (RPM) در مدل‌های مختلف متفاوت است. • <b>نگه داشتن آبکشی (Pause):</b> فرآیند آبکشی نهایی به حالت تعلیق درمی‌آید تا لباس‌ها در آب باقی بمانند. برای خالی کردن لباس‌ها، فرآیند تخلیه یا چرخش را انجام دهید. - برای استفاده از گزینه توقف آبکشی، دکمه Spin (چرخش) را چند بار پشت سر هم فشار دهید تا نشانگرهای عددی دور در دقیقه خاموش شود. برای چرخه DRAIN/SPIN (تخلیه/چرخش) در دسترس نیست. • <b>بدون گردش (No Spin):</b> مخزن پس از فرآیند تخلیه نهایی نمی‌چرخد. - جهت استفاده از گزینه بدون چرخش، دکمه Spin (چرخش) را چند بار پشت سر هم فشار دهید تا تمام نشانگرهای عددی دور در دقیقه خاموش شود. فقط برای چرخه DRAIN/SPIN (تخلیه/چرخش) موجود است. • <b>فقط خشک کن:</b> برای اجرای چرخه «فقط چرخش» دکمه Spin (چرخش) را به مدت ۳ ثانیه فشار دهید. وقتی زمان و سرعت چرخش ظاهر شد، دکمه Spin (چرخش) را چند بار فشار دهید تا زمانی که سرعت چرخش مورد نظر انتخاب گردد. سپس شروع/مکث (برای شروع نگاه دارید) را برای شروع چرخه فشار دهید و نگاه دارید. زمان چرخش به چرخه انتخاب شده بستگی دارد.

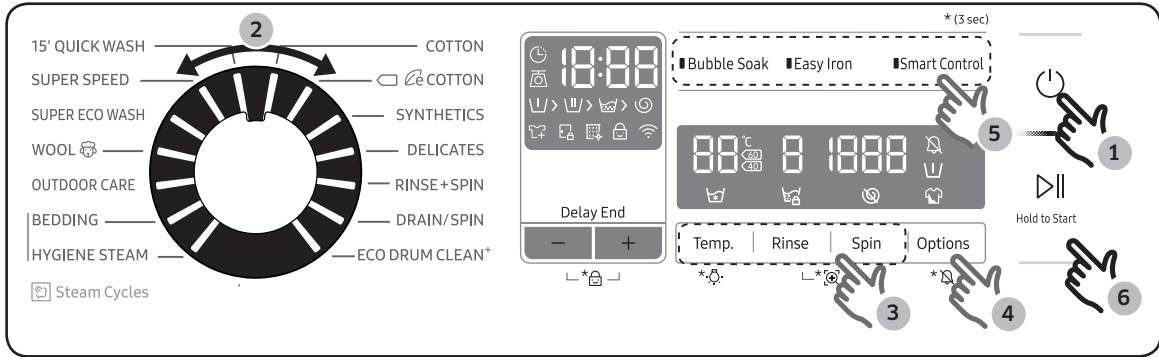


<p>۰۶ Options (گزینه‌ها)</p> <p>برای انتخاب یکی از گزینه‌های شدید و پیش‌شستشو آن را فشار دهید. جهت عدم انتخاب دوباره فشار دهید.</p>	
<p>۰۷ Delay End (تأخیر شستشو)</p> <p>Delay End (تأخیر شستشو) به شما اجازه می‌دهد زمان اتمام چرخه فعلی را تعیین کنید. بر اساس تنظیمات شما، زمان شروع چرخه بنا به منطق درونی دستگاه تعیین می‌شود. به‌عنوان مثال، این تنظیمات برای برنامه‌ریزی دستگاه جهت به پایان رساندن شستشو در زمانی که به‌طور معمول از محل کار به خانه برمی‌گردید، مفید است.</p> <ul style="list-style-type: none"> <li>• برای انتخاب یک واحد از پیش تعیین شده ساعت آن را فشار دهید.</li> </ul>	
<p>۰۸ Bubble Soak (خیس خوردن در حباب)</p> <p>آن را برای فعال/غیرفعال کردن عملکرد Bubble Soak (خیس خوردن در حباب) فشار دهید. این عملکرد به حذف انواع گوناگون لکه‌های سخت کمک می‌کند.</p> <ul style="list-style-type: none"> <li>• Bubble Soak (خیس خوردن در حباب) به حذف انواع لکه‌های سخت کمک می‌کند.</li> <li>• وقتی Bubble Soak (خیس خوردن در حباب) انتخاب شده باشد، لباس‌ها برای شستوی مؤثر به‌طور کامل در حباب آب خیس می‌خورند.</li> <li>• Bubble Soak (خیس خوردن در حباب) در این چرخه‌ها در دسترس است و باعث طولانی شدن آن به مدت ۳۰ دقیقه می‌شود: COTTON (الیاف نخی)، SYNTHETICS (الیاف مصنوعی)، BEDDING (ملافه)، SUPER SPEED (سرعت بالا)، HYGIENE STEAM (بخار نظافتی).</li> </ul>	
<p>۰۹ Smart Control</p> <p>آن را برای فعال/غیرفعال کردن عملکرد Smart Control فشار دهید. پس از فعال کردن عملکرد Smart Control می‌توانید ماشین لباسشویی خود را با استفاده از تلفن همراه خود کنترل کنید. برای کسب اطلاعات بیشتر، بخش SmartThings را در صفحه &lt;۴۲&gt; مشاهده کنید.</p>	
<p>۱۰ Easy Iron (اتو کردن آسان)</p> <p>سرعت چرخش به منظور کاهش چروک لباس‌ها کاهش پیدا می‌کند.</p> <ul style="list-style-type: none"> <li>• سرعت چرخش را روی ۸۰۰ دور در دقیقه تنظیم کنید.</li> </ul>	
<p>۱۱ روشن/خاموش</p> <p>آن را فشار دهید تا ماشین لباسشویی روشن یا خاموش شود.</p>	
<p>۱۲ شروع/مکث (برای شروع نگه دارید)</p> <p>برای شروع عملیات، فشار دهید و نگه دارید: یا برای توقف موقت عملیات فشار دهید.</p>	

برای کسب اطلاعات بیشتر در مورد گزینه‌ها، بخش قابلیت‌های ویژه را مشاهده کنید.



## مراحل آسان برای شروع



۱. دکمه روشن/خاموش را فشار دهید تا ماشین لباسشویی روشن شود.
۲. یک چرخه را در پنل چرخه انتخاب کنید.
۳. بنا به نیاز تنظیمات چرخه (Temp. (دما)، Rinse (آبکشی)، و Spin (چرخش)) را تغییر دهید.
۴. برای افزودن یک گزینه، Options (گزینه‌ها) را فشار دهید. برای انتخاب مورد دلخواه، دکمه را مجدداً فشار دهید.
۵. ماشین سه دکمه با دسترسی آسان و برای راحتی کار شما ارائه می‌کند: Bubble Soak (خیس خوردن در حباب)، Easy Iron (اتو کردن آسان) و Smart Control. برای استفاده از قابلیت مدنظر خود باید دکمه مطابق با آن قابلیت را فشار دهید.
۶. دکمه شروع/مکث (برای شروع نگه دارید) را فشار دهید و نگه دارید.

برای تغییر دادن چرخه در حین فعالیت

۱. دکمه شروع/مکث (برای شروع نگه دارید) را فشار دهید تا فعالیت متوقف شود.
۲. چرخه دیگری را انتخاب کنید.
۳. دوباره دکمه شروع/مکث (برای شروع نگه دارید) را فشار دهید تا چرخه جدیدی شروع شود.

## کلیات چرخه

چرخه‌های استاندارد

حد اکثر مقدار لباس (کیلوگرم)	شرح	چرخه
حداکثر	<ul style="list-style-type: none"> <li>برای الیاف نخی. ملافه. رومیزی. لباس زیر. حوله. یا پیراهن. زمان شستشو و تعداد آبکشی به صورت خودکار با توجه به میزان بار تنظیم می‌شود.</li> </ul>	COTTON (الیاف نخی)
حداکثر	<ul style="list-style-type: none"> <li>عملکرد بهینه همراه با مصرف انرژی کم برای پارچه‌های نخی. ملافه. رومیزی. زیرپوش. حوله یا پیراهن. برای صرفه‌جویی در انرژی. مکن است دمای شستشوی واقعی کمتر از حد مشخص شده باشد</li> </ul>	ECO COTTON (الیاف نخی)
۴/۰	<ul style="list-style-type: none"> <li>برای بلوزها یا پیراهن‌هایی که از جنس پلی‌استر (دیولن. ترویرا). پلی‌امید (پرلون. نایلون) یا مانند آن ساخته شده است.</li> </ul>	SYNTHETICS (الیاف مصنوعی)
۲/۰	<ul style="list-style-type: none"> <li>برای پارچه‌های حساس مانند ریون. ویسکوز و فیبر ترکیبی مصنوعی.</li> <li>برای دستیابی به بهترین عملکرد. از مواد شوینده مایع استفاده کنید.</li> </ul>	DELICATES (پارچه‌های ظریف)
حداکثر	<ul style="list-style-type: none"> <li>شامل یک فرآیند آبکشی اضافی پس از استفاده از نرم‌کننده پارچه جهت لباس‌ها.</li> </ul>	RINSE+SPIN (آبکشی + چرخش)
حداکثر	<ul style="list-style-type: none"> <li>شامل یک فرآیند چرخش اضافی برای حذف مؤثر رطوبت از لباس‌ها.</li> </ul>	DRAIN/SPIN (تخلیه/چرخش)
-	<ul style="list-style-type: none"> <li>با از بین بردن آلودگی و باکتری‌ها از مخزن. آن را تمیز می‌کند.</li> <li>این عملیات را پس از ۴۰ بار شستشو و بدون استفاده از ماده شوینده یا سفیدکننده انجام دهید.</li> <li>مطمئن شوید که مخزن خالی باشد.</li> <li>از هیچ ماده شوینده‌ای برای تمیز کردن مخزن استفاده نکنید.</li> </ul>	ECO DRUM CLEAN+ (نظافت اقتصادی مخزن)

حداکثر مقدار لباس (کیلوگرم)	شرح	چرخه
۲/۰	<p>برای لباس‌های نه چندان کثیف به میزان کمتر از ۲/۰ کیلوگرم که می‌خواهید سریعاً آنها را بشوید.</p> <ul style="list-style-type: none"> <li>کمتر از ۲۰ گرم مواد شوینده. استفاده از بیش از ۲۰ گرم مواد شوینده می‌تواند باعث باقی ماندن باقیمانده آن بر روی لباس شود.</li> <li>در صورت استفاده از مواد شوینده مایع. حداکثر ۲۰ میلی‌لیتر از آن مصرف کنید.</li> </ul>	15' QUICK WASH (شستشوی سریع)
۵/۰	<ul style="list-style-type: none"> <li>اتمام سریع ظرف ۳۹ دقیقه برای تمام البسه مانند لباس زیر و پیراهن.</li> <li>مدت زمان شستشو به وضعیت فشار آب. و میزان و نوع البسه بستگی دارد.</li> </ul>	SUPER SPEED (سرعت بالا)
۴/۰	<ul style="list-style-type: none"> <li>چرخه حباب اقتصادی در دمای کم به کاهش مصرف برق کمک می‌کند.</li> </ul>	SUPER ECO WASH (شستشوی فوق اقتصادی)
۲/۰	<ul style="list-style-type: none"> <li>مخصوص پشم قابل شستشو با ماشین لباسشویی برای حجم کمتر از ۲/۰ کیلوگرم.</li> <li>این چرخه شامل حرکت گهواره‌ای ملایم و خیساندن جهت حفاظت از الیاف پشم در برابر آب رفتن یا تغییر شکل می‌باشد.</li> <li>استفاده از شوینده خنثی توصیه می‌شود.</li> </ul>	WOOL (پشمی)
۲/۰	<ul style="list-style-type: none"> <li>برای لباس‌های فضای باز. لباس‌های اسکی و لباس‌های ورزشی تهیه شده از مواد کاربردی مانند اسپندکس. استرچ و میکروفیبر.</li> </ul>	OUTDOOR CARE (شستشوی لباسهای فضای باز)

## Steam cycles (چرخه‌های بخار)

حداکثر مقدار لباس (کیلوگرم)	شرح	چرخه
۲/۰	<ul style="list-style-type: none"> <li>برای روتختی. ملافه. روکش لحاف و غیره.</li> <li>برای دستیابی به بهترین نتیجه. تنها ۱ نوع ملافه را بشوید و مطمئن شوید که حجم کمتر از ۲/۰ کیلوگرم باشد.</li> </ul>	BEDDING (ملافه)
۴/۰	<ul style="list-style-type: none"> <li>برای البسه دارای چرک زیاد و رنگ ثابت. در این چرخه از بخار آب و آب بسیار داغ برای از بین بردن کامل لکه‌ها استفاده می‌شود.</li> </ul>	HYGIENE STEAM (بخار نظافتی)



شرح	گزینه‌ش	
شما می‌توانید صدای ماشین لباسشویی را خاموش یا روشن کنید. هنگامی که این عملکرد روی خاموش تنظیم شده است. هشدار AddWash. صدای اتمام چرخه و صدای خاموش شدن غیرفعال خواهد بود. با این حال. ممکن است صداهای دیگر فعال باشد.	صدای خاموش/روشن	
یک چرخه شستشوی اولیه قبل از شستشوی اصلی اضافه می‌شود.	پیش شستشو	
برای لباس‌های به شدت کثیف. زمان فعالیت برای هر چرخه طولانی‌تر از حد طبیعی است.	شدید	

### Delay End (تأخیر شستشو)

می‌توانید ماشین لباسشویی را طوری تنظیم کنید که بعداً شستشو را تمام کند. می‌توان تأخیر بین (۶۰ دقیقه) تا ۲۴ ساعت را انتخاب کرد (در فواصل ۱ ساعته). ساعت نمایش داده شده نشانگر زمان اتمام شستشو است.

۱. یک چرخه را انتخاب کنید. سپس در صورت لزوم تنظیمات چرخه را تغییر دهید.
۲. دکمه Delay End (تأخیر شستشو) (یا دکمه +/-) را مرتباً فشار دهید تا هنگامی که زمان پایان مورد نظر تنظیم گردد.
۳. دکمه شروع/مکث (برای شروع نگاه دارید) را فشار دهید و نگاه دارید. نشانگر Delay End (تأخیر شستشو) چشمک می‌زند و در صورتی که تشخیص وزن لباس برای چرخه انتخاب شده از قبل تنظیم شده باشد. ماشین لباسشویی مخزن را تکان می‌دهد تا وزن لباس‌ها را تشخیص دهد. پس از اتمام این مرحله. زمان تنظیم شده با زمان سنج در حال حرکت نمایش داده می‌شود.
۴. برای لغو کردن Delay End (تأخیر شستشو). ماشین لباسشویی را با فشار دادن دکمه روشن/خاموش مجدداً راه‌اندازی کنید.

### یک مثال واقعی

اگر می‌خواهید ۵ بعدازظهر بیرون بروید و می‌خواهید مطمئن شوید چرخه شستشوی ۲ ساعته طی این مدت به پایان برسد. گزینه Delay End (تأخیر شستشو) را انتخاب کنید. کافی است تنظیم ۳ ساعت را انتخاب کرده و شروع/مکث (برای شروع نگاه دارید) را در ساعت ۲:۰۰ بعدازظهر فشار دهید. ماشین لباسشویی در ساعت ۳:۰۰ بعدازظهر شروع به کار کرده و کارش را در ساعت ۵:۰۰ بعدازظهر به پایان می‌رساند. لطفاً به نمودار زیر مراجعه کنید که زمان‌بندی این مثال را توضیح می‌دهد.



### حسگر تشخیص وزن لباس

نشان حسگر تشخیص وزن لباس در زمان انتخاب چرخه پشتیبانی‌کننده از تشخیص وزن لباس روشن می‌شود. بعضی از چرخه‌ها از تشخیص وزن لباس پشتیبانی نمی‌کنند. پس از شروع چرخه. آیکون در طول فرآیند تشخیص وزن لباس چشمک می‌زند یا بدون تغییر می‌ماند و پس از اتمام فرآیند خاموش می‌شود.

## قابلیت‌های ویژه

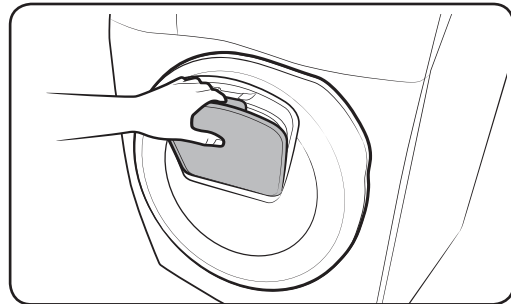
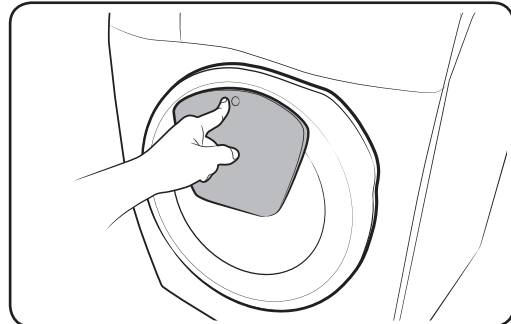
### AddWash

هنگامی که نشانگر AddWash روشن می‌شود، می‌توانید عملکرد دستگاه را متوقف کرده و لباس‌های بیشتری یا نرم‌کننده را در داخل مخزن قرار دهید. Add Door برای دسترسی آسان بیش از ۱۳۰ درجه باز می‌شود.

۱. دکمه شروع/مکث (برای شروع نگه دارید) را فشار دهید تا فعالیت متوقف شود.
۲. ناحیه بالای Add Door را فشار دهید تا زمانی که صدای تق مربوط به باز شدن را بشنوید. دستگیره Add Door را بکشید تا باز شود.
۳. Add Door را باز کرده و لباس‌های بیشتری یا نرم‌کننده را در داخل مخزن قرار دهید.
۴. قفل Add Door را فشار دهید تا زمانی که صدای تق بشنوید.
۵. دکمه شروع/مکث (برای شروع نگه دارید) را فشار دهید تا فعالیت ازسر گرفته شود.

#### ⚠ احتیاط

روی Add Door بیش از حد فشار وارد نکنید. ممکن است بشکند.



### 📄 توجه

اگر Add Door به درستی بسته نشود، آب داخل مخزن نشت نمی‌کند. ممکن است قطره‌های آب در اطراف پنجره شکل بگیرد، اما از داخل مخزن نشت نمی‌کند.

## ⚠ احتیاط

- اگر کف در داخل مخزن تشکیل شده و بالاتر از سطح Add Door قرار گرفته است. Add Door را باز نکنید.
- وقتی ماشین لباسشویی در حال کار است. تا زمانی که شروع/مکث (برای شروع ننگه دارید) را فشار ندهاید. برای باز کردن Add Door اقدام نکنید. لطفاً توجه داشته باشید که وقتی شستشو کامل شد. Add Door می‌تواند ناخواسته (بدون فشار دادن شروع/مکث) برای شروع ننگه دارید) باز شود.
- لباس خیلی زیادی را از طریق Add Door اضافه نکنید. ممکن است بر عملکرد آن تأثیر بگذارد.
- از ناحیه پایین Add Door به‌عنوان دسته استفاده نکنید. ممکن است انگشتانمان گیر کنند.
- مطمئن شوید که لباس‌ها در Add Door گیر نکنند.
- حیوانات خانگی خود را از ماشین لباسشویی. به‌خصوص از Add Door دور نگهدارید.
- در هنگام استفاده از آب گرم برای شستشو. به نظر می‌رسد Add Door پس از باز و بسته شدن Add Door. آب نشست بدهد. این مسئله طبیعی است. زیرا بخار بیرون آمده ناشی از باز شدن Add Door سرد شده و بر روی سطح قطرات آب تشکیل می‌دهد.
- هنگامی که Add Door بسته می‌شود. درب آب‌بندی شده و هیچ آبی نمی‌تواند نشست کند. با این حال. ممکن است با نشست ظاهری آب در اطراف درب مواجه شوید - احتمال دارد مقدار آب باقی‌مانده در اطراف Add Door قطرات آب را تشکیل دهد. این امر طبیعی است.
- هنگامی که دمای آب بیش از ۵۰ سانتی‌گراد باشد. نه درب اصلی و نه Add Door نمی‌توانند باز شوند. اگر سطح آب داخل مخزن بالاتر از یک نقطه خاص باشد. درب اصلی نمی‌تواند باز شود.
- اگر کد اطلاعاتی DDC روی صفحه نمایش ظاهر شد. برای انجام اقدامات بیشتر به بخش "کدهای اطلاعاتی" مراجعه نمایید.
- Add door و اطراف آن را همیشه تمیز نگه دارید. ذرات ریز یا مواد شوینده اطراف Add door می‌تواند باعث نشستی شود.

## تنظیمات

### Child Lock (قفل کودک)

برای جلوگیری از بروز حادثه توسط کودکان، Child Lock (قفل کودک) تمام دکمه‌ها بجز دکمه روشن/خاموش را قفل می‌کند.

#### فعال کردن قفل کودک

- در مدل‌های دارای پخش‌گر دستی، دکمه‌های - و + (گزینه Delay End (تأخیر شستشو)) را به مدت ۳ ثانیه به صورت همزمان فشار دهید و نگه دارید. سپس، دکمه شروع/مکث (برای شروع نگه دارید) را فشار دهید و نگه دارید تا عملکرد فعال شود. در قفل شده و نشانگر قفل کودک روشن می‌شود.

#### برای غیرفعال کردن موقت Child Lock (قفل کودک)

در مدل‌های دارای پخش‌گر دستی، دکمه‌های - و + (گزینه Delay End (تأخیر شستشو)) را به مدت ۳ ثانیه به صورت همزمان فشار دهید و نگه دارید.

### توجه

- در صورتی که پس از غیرفعال کردن قفل کودک، در را به مدت ۱ دقیقه یا بیشتر باز نگه دارید، هشدار به مدت حداکثر ۲ دقیقه به صدا در می‌آید.
- اگر ظرف ۲ دقیقه در را ببندید، در قفل شده و قفل کودک دوباره فعال می‌شود. در صورتی که در را ببندید یا در درست بسته نشود، هشدار ۲ دقیقه دیگر نیز صدا می‌دهد.
- به منظور افزودن لباس به دستگاه پس از فعال کردن قفل کودک، ابتدا باید قفل کودک را غیرفعال یا ماشین لباسشویی را دوباره راه‌اندازی کرد.

#### لغو کردن Child Lock (قفل کودک)

- در مدل‌های دارای پخش‌گر دستی، دکمه‌های - و + (گزینه Delay End (تأخیر شستشو)) را به مدت ۳ ثانیه به صورت همزمان فشار دهید و نگه دارید تا غیرفعال شود و سپس این دکمه‌ها را مجدداً به مدت ۳ ثانیه فشار دهید تا قفل کودک لغو شود. قفل در باز شده و نشانگر قفل کودک خاموش می‌شود.



### صدا خاموش/روشن

شما می‌توانید صدای ماشین لباسشویی را خاموش یا روشن کنید. هنگامی که این عملکرد روی خاموش تنظیم شده است، هشدار AddWash، صدای اتمام چرخه و صدای خاموش شدن غیرفعال خواهد بود. با این حال، ممکن است صداهای دیگر فعال باشد.

- برای قطع کردن صدا، دکمه **Options (گزینه‌ها)** را به مدت ۳ ثانیه فشار دهید و نگه دارید.
- برای وصل کردن صدا، این دکمه را دوباره به مدت ۳ ثانیه فشار دهید و نگه دارید.
- این تنظیمات حتی پس از خاموش و روشن کردن دستگاه باقی می‌ماند.

### چراغ مخزن

چراغ مخزن را تنظیم می‌کند یا تغییر می‌دهد.

- برای انتخاب چراغ مخزن، دکمه‌های جهت‌دار **Temp (دما)** را فشار دهید.
- برای آزادسازی عملکرد چراغ مخزن **Temp (دما)** را به مدت ۳ ثانیه فشار دهید.



## SmartThings

### Wi-Fi اتصال

به تنظیمات تلفن هوشمند خود بروید و اتصال بی‌سیم (وایرلس) را روشن و AP (نقطه دسترسی) را انتخاب کنید.

### توجه

- این دستگاه فقط برای استفاده خانگی (کلاس B) طراحی شده و می‌توانید از آن در تمام مناطق مسکونی استفاده کنید.
- مکن است دستگاه باعث اختلال در شبکه وایرلس شود. به همین دلیل نه تولیدکننده و نه نصاب این دستگاه نمی‌تواند اقدامات ایمنی ارائه دهد.
- WPA2/AES و WPA/TKIP روش‌های رمزگذاری توصیه‌شده هستند. از پروتکل‌های جدید Wi-Fi یا پروتکل‌های تأیید نشده Wi-Fi پشتیبانی نمی‌شود.
- شبکه‌های وایرلس اطراف می‌تواند بر حساسیت گیرنده شبکه وایرلس تأثیر بگذارد.
- اگر ارائه‌دهنده خدمات اینترنت شما یک مک آدرس دائمی به کامپیوتر یا مودم شما اختصاص داده باشد. ماشین لباسشویی سامسونگ نمی‌تواند به اینترنت متصل شود. در چنین مواردی با ارائه‌دهنده اینترنت خود تماس بگیرید.
- مکن است فایروال اینترنت باعث اختلال در اتصال اینترنت شده باشد. در این صورت با ارائه‌دهنده اینترنت خود تماس بگیرید.
- پس از رفع این مشکلات توسط ارائه‌دهنده اینترنت. اگر اینترنت همچنان قطع بود با نمایندگی فروش یا خدمات پس از فروش سامسونگ در شهر خود تماس بگیرید.
- برای اطلاع از نحوه نصب روترهای با سیم و وایرلس به دفترچه راهنمای روتر خود مراجعه کنید.
- ماشین لباسشویی سامسونگ از پروتکل‌های Wi-Fi 2/4 GHz پشتیبانی می‌کند.
- ماشین لباسشویی سامسونگ از پروتکل‌های IEEE802.11 b/g/n Soft-AP (2/4 GHz) پشتیبانی می‌کند. IEEE802.11n توصیه می‌شود)
- مکن است روترهای با سیم/وایرلس تأیید نشده نتوانند به ماشین لباسشویی سامسونگ متصل شوند.

### دانلود

برنامه «SmartThings» را می‌توانید با جستجوی «SmartThings» در بازارهای برنامه (Google, Apple App Store, Samsung Galaxy Apps) پیدا کنید. برنامه را دانلود و روی دستگاه خود نصب کنید.

### توجه

- برنامه «SmartThings» بر روی دستگاه‌های دارای اندروید 6/0 (مارشمالو) یا بالاتر سایر شرکت‌ها، دستگاه‌های سامسونگ دارای اندروید 5/0 (لالیپاپ) یا بالاتر و دستگاه‌ها iOS دارای iOS نسخه 10/0 یا بالاتر موجود است. کاربران iPhone باید iPhone 6 یا بالاتر داشته باشند). این برنامه برای تلفن‌های هوشمند سامسونگ (سری گلکسی اس و نوت) بهینه شده است.
- مکن است عملکرد بعضی از قابلیت‌های برنامه بر روی دستگاه‌های شخص ثالث متفاوت باشد.
- این برنامه می‌تواند جهت ارتقاء عملکرد و بدون اطلاع قبلی تغییر کند.

ورود

شما باید ابتدا توسط حساب کاربری سامسونگ خود وارد SmartThings شوید. برای ایجاد حساب کاربری جدید سامسونگ، دستورالعمل‌های برنامه را دنبال کنید. برای ایجاد حساب کاربری به برنامه جداگانه‌ای نیاز ندارید.

### توجه

در صورتی که حساب کاربری سامسونگ دارید، از آن برای ورود استفاده کنید. کاربر دارای تلفن هوشمند سامسونگ به صورت خودکار وارد می‌شود.

### جهت ثبت دستگاه خود در SmartThings

۱. از متصل بودن تلفن هوشمند خود به شبکه وایرلس اطمینان حاصل کنید. در صورت متصل نبودن، به **Settings (تنظیمات)** تلفن هوشمند خود بروید و اتصال بی‌سیم (وایرلس) را روشن و AP (نقطه دسترسی) را انتخاب کنید.
۲. **SmartThings** را در تلفن هوشمند خود اجرا کنید.
۳. هنگام نمایش پیام «دستگاه جدیدی پیدا شد»، گزینه **Add (افزودن)** را انتخاب کنید.
۴. در صورتی که پیامی ظاهر نشود، گزینه **+** را لمس نمایید و سپس ماشین لباسشویی خود را در فهرست دستگاه‌های موجود انتخاب کنید. در صورتی که ماشین لباسشویی در این فهرست قرار نداشت، **Device Type > Specific Device Model** را انتخاب کنید و سپس ماشین لباسشویی خود را به صورت دستی وارد نمایید.
۵. ماشین لباسشویی خود را طبق راهنمای زیر در برنامه SmartThings متصل کنید.
  - a. توسط حساب کاربری سامسونگ خود وارد SmartThings شوید.
  - b. اتصال Wi-Fi را روشن کنید.
  - c. ماشین لباسشویی خود را به SmartThings متصل کنید. مطمئن شوید ماشین لباسشویی به SmartThings متصل است.
  - d. پس از تکمیل ثبت‌نام، ماشین لباسشویی روی تلفن هوشمند ظاهر خواهد شد.

### برنامه ماشین لباسشویی

- کنترل یکپارچه: شما می‌توانید ماشین لباسشویی خود را هم در منزل و هم در خارج از منزل کنترل و نظارت کنید.
- نماد ماشین لباسشویی را در SmartThings انتخاب کنید. صفحه ماشین لباسشویی ظاهر می‌شود.
- وضعیت عملیات یا اعلان‌های مربوط به ماشین لباسشویی خود را بررسی کنید و در صورت لزوم، گزینه‌ها یا تنظیمات را تغییر دهید.

شرح	نکات بررسی	دسته‌بندی
شما می‌توانید چرخه فعلی و گزینه‌های آن و زمان باقیمانده چرخه را بررسی کنید.	وضعیت شستشو	پایش
وضعیت Smart Control ماشین لباسشویی نمایش داده می‌شود.	Smart Control	
از این گزینه برای بررسی عملکرد عادی ماشین لباسشویی استفاده کنید.	خود بررسی	
این گزینه برای نظارت بر وضعیت مصرف انرژی استفاده کنید.	نظارت بر مصرف انرژی	کنترل
یک چرخه و گزینه‌های ضروری را انتخاب کنید. سپس شروع/مکث/لغو را برای شروع عملیات، توقف موقت یا لغو عملیات فعلی انتخاب کنید.	شروع/مکث/لغو	
گزینه‌ها و چرخه‌های پر کاربرد را به موردعلاقه‌های من اضافه کنید تا بعداً از آنها استفاده نمایید.	موردعلاقه‌های من	
تمام چرخه را به شما اطلاع می‌دهد.	تکمیل چرخه	اعلان
اضافه بار جدید را به شما اطلاع می‌دهد.	هشدار AddWash (تنها در بعضی مدل‌ها)	
لباس باقیمانده پس از اتمام چرخه را به شما اطلاع می‌دهد.	لباس باقیمانده (تنها در بعضی مدل‌ها)	
شما می‌توانید نوع پارچه، رنگ و میزان کثیفی را انتخاب کنید تا توصیه‌ها و چرخه‌های شستشویی دریافت نمایید که فوراً شروع شود.	دستور لباس *	Q-Rator
شما می‌توانید زمان دخواهی برای پایان یافتن چرخه شستشو تنظیم کنید.	برنامه‌ریز لباس *	
یک چرخه توصیه‌شده پس از تنظیم زمان دخواه ظاهر می‌شود که در زمانی که تنظیم کردید به پایان می‌رسد و می‌توانید چرخه توصیه‌شده را شروع یا رزرو کنید.		
گزارش منظمی همراه با خلیل وضعیت عملیات دستگاه در فاصله زمانی تنظیم‌شده توسط کاربر (هر هفته/ماه) ارائه می‌دهد. شما می‌توانید از این گزارش منظم برای بررسی الگوی مصرف خود، الزامات تعمیر و نگهداری و مصرف انرژی ** برای دوره زمانی تعیین‌شده استفاده کنید.	راهنمای HomeCare *	
* به برنامه «SmartThings» نیاز است. در اندروید و iOS قابل دسترسی است. نیاز به ثبت‌نام دارد. ** فقط نتایج شاخص.		





### اطلاعیه منبع باز

نرم افزار موجود در این محصول شامل نرم افزار منبع باز است. شما می توانید کد منبع کامل مربوطه را به مدت سه سال پس از آخرین حمل این محصول با ارسال یک ایمیل به نشانی <mailto:oss.request@samsung.com> به دست آورید.

همچنین می توانید کد منبع کامل مربوطه را در یک رسانه فیزیکی مانند CD-ROM دریافت کنید؛ پرداخت حداقل هزینه الزامی خواهد بود.

آدرس اینترنتی زیر <http://opensource.samsung.com/opensource/SimpleConnectTP/seq/0> شما را به صفحه دانلود کد منبع در دسترس و مجوز منبع باز مربوط به این محصول هدایت می کند. این پیشنهاد برای هر کسی که این اطلاعات را دریافت می کند، معتبر است.



### توجه

بدین وسیله Samsung Electronics اعلام می کند که دستگاه نوع وسایل رادیویی با رهنمود 2014/53/EU سازگاری دارد. متن کامل اطلاعیه همسازي اتحادیه اروپا در آدرس اینترنتی زیر قابل دسترسی است: اظهارنامه انطباق رسمی را می توانید در آدرس <http://www.samsung.com> مشاهده کنید. به Support > Search Product Support بروید و شماره مدل را وارد کنید.

حداکثر قدرت فرستنده Wi-Fi: ۲۰ dBm در ۲/۴۱۲ GHz - ۲/۴۷۲ GHz



برای جلوگیری از افت عملکرد و حفظ طول عمر ماشین لباسشویی، آن را تمیز نگه دارید.

## Eco Drum Clean<sup>+</sup> (نظافت اقتصادی مخزن)

این دوره را برای تمیز کردن مخزن و از بین بردن باکتری‌های آن به‌طور منظم انجام دهید. این چرخه آلودگی جمع‌شده را نیز از واشر لاستیکی در پاک می‌کند.

۱. دکمه روشن/خاموش را فشار دهید تا ماشین لباسشویی روشن شود.
۲. انتخابگر چرخه را روی دوره **ECO DRUM CLEAN<sup>+</sup>** (نظافت اقتصادی مخزن) قرار دهید.
۳. دکمه شروع/مکث (برای شروع نکه دارید) را فشار دهید و نکه دارید.

### توجه

دمای آب برای **ECO DRUM CLEAN<sup>+</sup>** (نظافت اقتصادی مخزن) بر روی ۷۰ درجه سانتی‌گراد تعیین شده و امکان تغییر دادن آن وجود ندارد.

### احتیاط

از هیچ ماده شوینده‌ای برای تمیز کردن مخزن استفاده نکنید. مواد شیمیایی باقی‌مانده در داخل مخزن باعث افت کیفیت شستشو می‌شوند.

یادآور **ECO DRUM CLEAN<sup>+</sup>** (نظافت اقتصادی مخزن)

- پس از هر ۴۰ بار شستشو، یادآور **ECO DRUM CLEAN<sup>+</sup>** (نظافت اقتصادی مخزن) بر روی صفحه نمایش اصلی ظاهر می‌شود. توصیه می‌شود **ECO DRUM CLEAN<sup>+</sup>** (نظافت اقتصادی مخزن) را به‌طور منظم انجام دهید.
- وقتی برای اولین بار این یادآور را مشاهده کردید، می‌توانید برای ۶ شستشوی متوالی آن را نادیده بگیرید. از شستشوی هفتم به بعد، یادآور دیگر ظاهر نمی‌شود. با این حال، در چهلیمین شستشوی بعدی دوباره ظاهر می‌شود.

برای فعال کردن این عملکرد، ابتدا باید برنامه Samsung Smart Washer را از Play Store یا Apple Store دانلود کرده، سپس آن را بر روی دستگاه تلفن همراه دارای عملکرد دوربین نصب نمایید.

عملکرد Smart Check برای گوشی‌های سری Galaxy & iPhone (فقط برخی مدل‌ها) بهینه شده است.

۱. هنگامی که ماشین لباسشویی مشکلی تشخیص می‌دهد، کد اطلاعات روی نمایشگر آن ظاهر می‌شود. برای رفتن به حالت بررسی هوشمند، دکمه Rinse (آبکشی) و Spin (چرخش) را به صورت همزمان به مدت ۳ ثانیه فشار دهید و نگه دارید.
۲. ماشین لباسشویی رویه عیب‌یابی خود را شروع کرده و در صورت وجود مشکل، کد اطلاعات را نشان می‌دهد.
۳. برنامه Samsung Smart Washer را بر روی تلفن همراه خود اجرا کرده و بر روی Smart Check ضربه بزنید.
۴. تلفن همراه را نزدیک صفحه نمایش ماشین لباسشویی بگیرید. به طوری که تلفن همراه و ماشین لباسشویی روبه‌روی یکدیگر باشند. سپس، کد اطلاعات به صورت خودکار توسط برنامه تشخیص داده می‌شود.
۵. هنگامی که کد اطلاعات به درستی تشخیص داده شد، برنامه اطلاعات دقیق مربوط به مشکل را به همراه اقدامات مورد نیاز اعلام می‌کند.

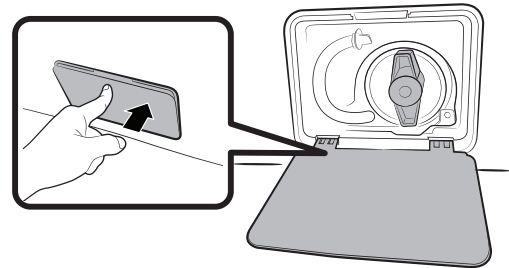
#### توجه

- نام عملکرد Smart Check، بر حسب زبان ممکن است متفاوت باشد.
- در صورتی که ماشین لباسشویی نوری را روی نمایشگر پخش کند، برنامه ممکن است نتواند کد خطا را تشخیص دهد.
- اگر برنامه نتوانست کد Smart Check را تشخیص دهد، به صورت دستی کد را در صفحه برنامه وارد کنید.

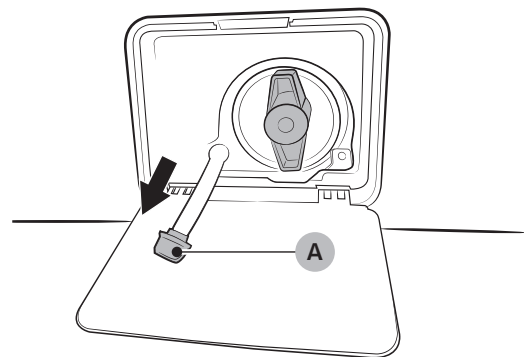
## تخلیه اضطراری

در صورت قطع برق، آب داخل مخزن را قبل از بیرون آوردن لباس‌ها تخلیه کنید.

۱. ماشین لباسشویی را خاموش کرده و از پریز برق بکشید.
۲. قسمت بالای پوششش فیلتر را به آرامی فشار دهید تا باز شود.



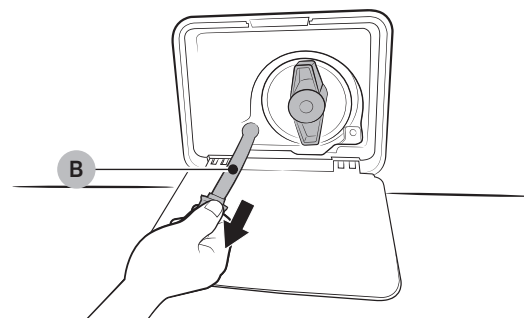
۳. یک ظرف بزرگ و خالی در اطراف پوششش قرار دهید و لوله تخلیه اضطراری را در حین نگهداشتن دریوش لوله (A) به سمت ظرف ببرید.



۴. دریوش لوله را باز کنید و اجازه دهید آب در لوله تخلیه اضطراری (B) جریان پیدا کرده و به داخل ظرف برود.
۵. وقتی این کار انجام شد، دریوش لوله را بسته و لوله را دوباره وارد کنید. سپس، پوششش فیلتر را ببندید.

### توجه

از یک ظرف بزرگ استفاده کنید زیرا ممکن است آب موجود در مخزن بیش از حد انتظار باشد.



## تمیز کردن

سطح ماشین لباسشویی

از یک پارچه نرم به همراه شوینده خانگی غیرخورنده استفاده کنید. بر روی ماشین لباسشویی آب نپاشید.

Add Door



۱. Add Door را باز کنید.
۲. از یک پارچه مرطوب برای تمیز کردن Add Door استفاده کنید.
  - از مواد پاک‌کننده استفاده نکنید. زیرا ممکن است تغییر رنگ رخ دهد.
  - در هنگام تمیز کردن واشر لاستیکی و مکانیسم قفل (A) احتیاط کنید.
  - گردوخاک اطراف در را همیشه تمیز کنید.
۳. تمیز کرده و Add Door را ببندید تا زمانی که صدای تق بشنوید.

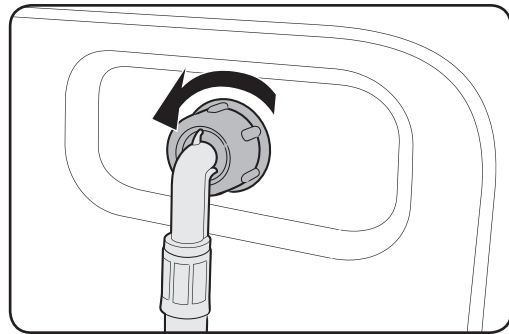
### احتیاط

- به Add Door بیش از حد فشار وارد نکنید. ممکن است بشکند.
- در هنگامی که ماشین لباسشویی در حال کار است، Add Door را باز نگذارید.
- هرگز اشیاء سنگین را روی Add Door قرار ندهید.
- برای جلوگیری از آسیب فیزیکی، Add Door را در حالی که مخزن در حال چرخش است لمس نکنید.
- در هنگامی که ماشین لباسشویی در حال کار است، Add Door را باز نکنید. این کار ممکن است باعث آسیب جسمی شود.
- وقتی Add Door باز است، پانل قابلیت‌ها را دستکاری نکنید. ممکن است باعث آسیب جسمی یا خرابی سیستم گردد.
- چیزی بجز لباس را در داخل آن قرار ندهید.
- اشیاء حجیم را از طریق Add Door وارد مخزن نکنید.
- واشر لاستیکی Add Door را در هنگام تمیز کردن بیرون نکشید. ممکن است باعث بروز آسیب شود.

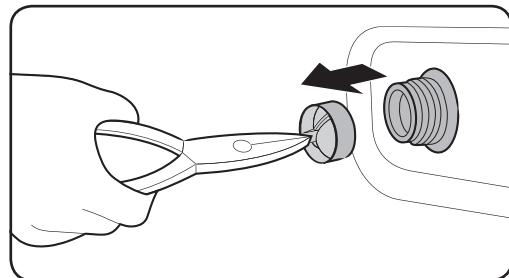
## فیلتر توری

فیلتر توری شلنگ آب را یک یا دو بار در سال تمیز کنید.

۱. ماشین لباسشویی را خاموش کنید و سیم برق را بکشید.
۲. شیر آب را ببندید.
۳. شلنگ آب را از پشت ماشین لباسشویی شل کرده و جدا نمایید. برای جلوگیری از بیرون ریختن آب، شلنگ را با یک پارچه بپوشانید.



۴. از انبردست برای بیرون کشیدن فیلتر توری از دریچه ورودی استفاده کنید.
۵. فیلتر توری را کاملاً در آب فرو ببرید به طوری که رابط رزوه‌ای نیز در زیر آب قرار گیرد.
۶. فیلتر توری را به طور کامل در سایه خشک کنید.
۷. فیلتر توری را دوباره در دریچه ورودی قرار دهید و شلنگ آب را دوباره به دریچه ورودی متصل نمایید.
۸. شیر آب را باز کنید.



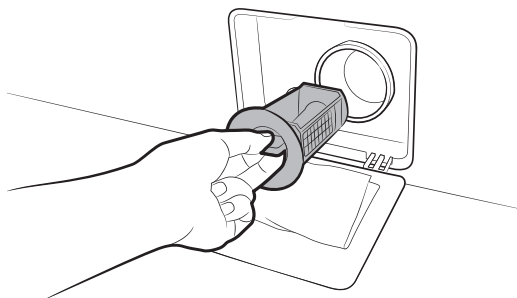
## توجه

اگر فیلتر توری گرفته باشد، کد اطلاعات «4C» بر روی صفحه نمایش ظاهر می‌شود.

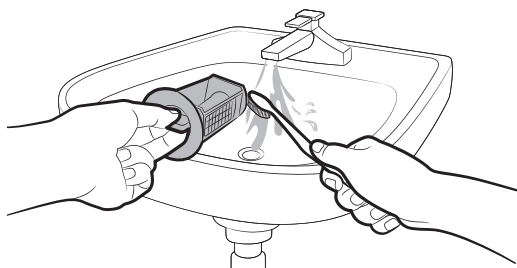
## فیلتر پمپ

بهتر است فیلتر پمپ را برای جلوگیری از گرفتگی آن ۵ یا ۶ بار در سال تمیز کنید. ممکن است مسدود شدن فیلتر پمپ اثر حباب را کاهش دهد.

۱. ماشین لباسشویی را خاموش کنید و سیم برق را بکشید.
۲. آب باقی مانده در داخل مخزن را تخلیه کنید. به بخش تخلیه اضطراری مراجعه کنید.
۳. قسمت بالای پوشش فیلتر را به آرامی فشار دهید تا باز شود.
۴. دسته فیلتر پمپ را به سمت چپ بچرخانید و آب باقی مانده را نیز تخلیه کنید.

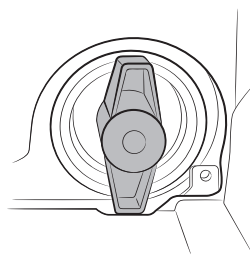


۵. فیلتر پمپ را با استفاده از برس نرم تمیز کنید. مطمئن شوید که پروانه پمپ تخلیه در داخل فیلتر مسدود نشده باشد.
۶. فیلتر پمپ را دوباره در جای خود قرار دهید و دسته فیلتر را به سمت راست بچرخانید.



### توجه

- برخی از فیلترهای پمپ دارای دستگیره ایمنی هستند که برای جلوگیری از بروز حوادث توسط کودکان طراحی شده است. برای باز کردن دستگیره ایمنی فیلتر پمپ، آن را به داخل فشار داده و در خلاف جهت عقربه‌های ساعت بچرخانید. مکانیزم قفل دستگیره ایمنی به باز کردن فیلتر کمک می‌کند.
- برای بستن دستگیره ایمنی فیلتر پمپ، آن را در جهت عقربه‌های ساعت بچرخانید. فنر صدای شدیدی می‌دهد که طبیعی است.



### توجه

اگر فیلتر پمپ گرفته باشد، کد اطلاعات «5C» بر روی صفحه نمایش ظاهر می‌شود.

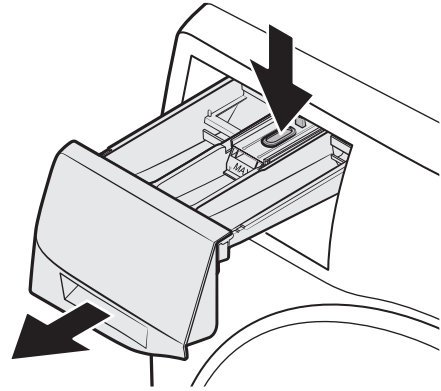
### احتیاط

- پس از تمیز کردن فیلتر اطمینان حاصل کنید که دستگیره فیلتر به درستی بسته شده باشد. در غیر این صورت، ممکن است نشتی رخ دهد.
- پس از تمیز کردن فیلتر اطمینان حاصل کنید که به درستی وارد شده باشد. در غیر این صورت، ممکن است نقص در عملکرد یا نشتی رخ دهد.

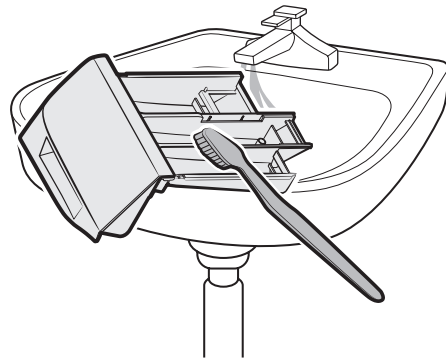
# نگهداری

کشتوی ماده شوینده

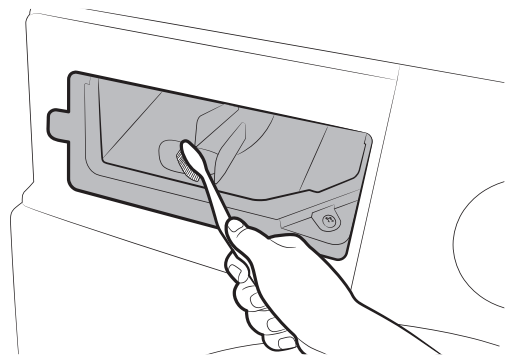
۱. هنگامی که اهرم آزادسازی داخل کشتو را به پایین نگه داشته‌اید، کشتو را به بیرون بکشید.



۲. قطعات کشتو را در آب جاری و با استفاده از یک برس نرم تمیز کنید.



۳. حفره کشتو را با استفاده از یک برس نرم تمیز کنید.
۴. محفظه شوینده مایع را وارد کشتو کنید.
۵. کشتو را به داخل بلغزانید تا بسته شود.



توجه

برای پاک کردن مواد شوینده باقی‌مانده، چرخه RINSE+SPIN (آبکشی+چرخش) را در هنگام خالی بودن مخزن انجام دهید.



## برطرف کردن یخ زدگی

مکن است ماشین لباسشویی در دمای کمتر از ۰ درجه سانتی‌گراد یخ بزند.

۱. ماشین لباسشویی را خاموش کنید و سیم برق را بکشید.
۲. آب گرم را بر روی شیر آب بریزید تا شلنگ آب شل شود.
۳. شلنگ آب را جدا کرده و آن را در آب گرم بخیسانید.
۴. آب گرم را به داخل مخزن بریزید و اجازه دهید به مدت ۱۰ دقیقه باقی بماند.
۵. شلنگ آب را دوباره به شیر آب وصل کنید.

### توجه

اگر ماشین لباسشویی باز هم به‌طور طبیعی کار نمی‌کند، مراحل بالا را تا زمانی که به‌طور طبیعی کار کند، تکرار نمایید.

## مراقبت درخصوص زمان طولانی استفاده نامناسب

از بلااستفاده گذاشتن ماشین لباسشویی برای مدت طولانی خودداری کنید. در چنین مواقعی، ماشین لباسشویی را تخلیه کرده و سیم برق را جدا کنید.

۱. گزینشگر چرخه را بچرخانید تا RINSE+SPIN (آبکشی+چرخش) را انتخاب کنید.
۲. مخزن را خالی کرده و شروع/مکث (برای شروع نکه دارید) را فشار دهید.
۳. هنگامی که چرخه کامل شد، شیر آب را ببندید و شلنگ آب را جدا نمایید.
۴. ماشین لباسشویی را خاموش کنید و سیم برق را بکشید.
۵. درب را باز کنید و اجازه دهید هوا در مخزن به گردش درآید.

## نقاط بازرسی

اگر ماشین لباسشویی مشکلی داشت، ابتدا جدول زیر را بررسی کنید و پیشنهادهای ذکر شده را امتحان کنید.

مشکل	اقدام
روشن نمی‌شود.	<ul style="list-style-type: none"> <li>مطمئن شوید که ماشین لباسشویی به پریز برق زده شده است.</li> <li>مطمئن شوید که درب به‌طور محکم بسته شده است.</li> <li>مطمئن شوید که شیرهای آب باز هستند.</li> <li>برای شروع به کار ماشین لباسشویی، دکمه شروع/مکث (برای شروع نگه دارید) را فشار دهید و نگه دارید.</li> <li>مطمئن شوید که قفل کودک (🔒) فعال نشده باشد.</li> <li>قبل از اینکه ماشین لباسشویی شروع به پر کردن کند، صداهایی را در هنگام بررسی قفل بودن درب تولید کرده و تخلیه سریع را انجام می‌دهد.</li> <li>فیوز را بررسی کرده یا مدارشکن را مجدداً تنظیم نمایید.</li> </ul>
تأمین آب ناکافی است، یا آب تأمین نشده است.	<ul style="list-style-type: none"> <li>شیر آب را به‌طور کامل باز کنید.</li> <li>مطمئن شوید که درب به‌طور محکم بسته شده است.</li> <li>مطمئن شوید که شلنگ آب یخ نزده باشد.</li> <li>مطمئن شوید که شلنگ آب خم نشده یا مسدود نباشد.</li> <li>مطمئن شوید که فشار آب کافی است.</li> </ul>
پس از اتمام چرخه، ماده شوینده در کشتوی ماده شوینده باقی می‌ماند.	<ul style="list-style-type: none"> <li>مطمئن شوید که ماشین لباسشویی با فشار آب کافی کار می‌کند.</li> <li>مطمئن شوید که ماده شوینده را در وسط کشتوی ماده شوینده قرار دهید.</li> <li>مطمئن شوید که درپوش آبکشی به‌طور صحیح وارد شده باشد.</li> <li>در صورت استفاده از شوینده گرانولی، مطمئن شوید که انتخابگر شوینده در موقعیت بالایی قرار داشته باشد.</li> <li>درپوش آبکشی را باز کرده و کشتوی ماده شوینده را تمیز کنید.</li> </ul>



مشکل	اقدام
<p>لرزش یا صدای بیش از حد.</p>	<ul style="list-style-type: none"> <li>• مطمئن شوید که ماشین لباسشویی بر روی سطحی تراز و محکم و غیرلغزنده نصب شده باشد. اگر کف محل تراز نیست، از پایه‌های تراز برای تنظیم ارتفاع ماشین لباسشویی استفاده کنید.</li> <li>• مطمئن شوید که پیچ‌های حمل و نقل جدا شده باشند.</li> <li>• مطمئن شوید که ماشین لباسشویی با شش‌ه‌دیگری تماس نداشته باشد.</li> <li>• مطمئن شوید که توده لباس‌ها توازن داشته باشند.</li> <li>• ممکن است موتور در طول فعالیت عادی سر و صدا ایجاد کند.</li> <li>• ممکن است لباس‌های یک‌تکه یا دارای تزئینات فلزی در حین شسته شدن باعث ایجاد سر و صدا شوند. این امر طبیعی است.</li> <li>• اشیای فلزی مانند سکه می‌توانند باعث ایجاد سر و صدا شوند. پس از شستشو، این اشیاء را از مخزن یا قاب فیلتر خارج کنید.</li> </ul>
<p>تخلیه و/یا چرخش انجام نمی‌شود.</p>	<ul style="list-style-type: none"> <li>• اطمینان حاصل کنید که شلنگ تخلیه در مسیر اتصال به سیستم تخلیه صاف باشد. اگر با محدودیت تخلیه مواجه شدید، با مرکز خدمات تماس بگیرید.</li> <li>• مطمئن شوید که فیلتر کثافات مسدود نشده باشد.</li> <li>• در را ببندید و دکمه شروع/مکث (برای شروع نگاه دارید) را فشار دهید و نگاه دارید. برای حفظ ایمنی شما، ماشین لباسشویی خشک کردن یا چرخش را انجام نمی‌دهد مگر اینکه درب آن بسته باشد.</li> <li>• مطمئن شوید که شلنگ تخلیه یخ نزده یا مسدود نباشد.</li> <li>• اطمینان حاصل کنید که شلنگ تخلیه به سیستم تخلیه‌ای که مسدود نشده باشد متصل گردد.</li> <li>• اگر برق کافی برای ماشین لباسشویی تأمین نشود، ماشین لباسشویی به‌طور موقت نمی‌تواند تخلیه یا چرخش را انجام دهد. به محض این‌که برق ماشین لباسشویی مجدداً به میزان کافی تأمین شود، فعالیت عادی خود را از سر می‌گیرد.</li> </ul>
<p>درب باز نمی‌شود.</p>	<ul style="list-style-type: none"> <li>• برای توقف ماشین لباسشویی، دکمه شروع/مکث (برای شروع نگاه دارید) را فشار دهید.</li> <li>• ممکن است چند لحظه طول بکشد تا مکانیزم قفل درب آزاد شود.</li> <li>• درب تا ۳ دقیقه بعد از اینکه ماشین متوقف شده و یا خاموش شود باز نخواهد شد.</li> <li>• مطمئن شوید که تمام آب در داخل مخزن تخلیه شده باشد.</li> <li>• اگر آب در مخزن باقی بماند، ممکن است درب باز نشود. به‌طور دستی مخزن را تخلیه کرده و درب را باز کنید.</li> <li>• مطمئن شوید که چراغ قفل درب خاموش باشد. بعد از اینکه ماشین لباسشویی تخلیه شد، چراغ قفل درب خاموش می‌ماند.</li> </ul>




مشکل	اقدام
کف بیش از حد.	<ul style="list-style-type: none"> <li>• مطمئن شوید که از انواع ماده شوینده مناسب استفاده کنید.</li> <li>• برای جلوگیری از کف کردن بیش از حد، از ماده شوینده با بهره‌وری بالا (HE) استفاده نمایید.</li> <li>• میزان ماده شوینده را برای آب فاقد سختی، لباس‌های کم یا دارای کثیفی کمتر کاهش دهید.</li> <li>• استفاده از ماده شوینده فاقد بهره‌وری بالا توصیه نمی‌شود.</li> </ul>
امکان ریختن ماده شوینده اضافی وجود ندارد.	<ul style="list-style-type: none"> <li>• اطمینان حاصل کنید که مقدار باقی مانده ماده شوینده و نرم‌کننده پارچه بیشتر از حد مجاز نباشد.</li> </ul>
متوقف می‌شود.	<ul style="list-style-type: none"> <li>• سیم برق را به پرز برقدار بزنید.</li> <li>• فیوز را بررسی کرده یا مدارشکن را مجدداً تنظیم نمایید.</li> <li>• برای شروع به کار ماشین لباسشویی، در را ببندید و دکمه شروع/امکث (برای شروع نگه دارید) را فشار دهید و نگه دارید. برای حفظ ایمنی شما، ماشین لباسشویی خشک کردن یا چرخش را انجام نمی‌دهد مگر اینکه درب آن بسته باشد.</li> <li>• قبل از اینکه ماشین لباسشویی شروع به پر کردن کند، صداهایی را در هنگام بررسی قفل بودن درب تولید کرده و تخلیه سریع را انجام می‌دهد.</li> <li>• ممکن است در چرخه وقفه یا دوره خیس‌اندن وجود داشته باشد. کمی صبر کنید زیرا ممکن است ماشین لباسشویی روشن گردد.</li> <li>• اطمینان حاصل کنید که فیلتر توری شلنگ تأمین آب در شیر آب مسدود نباشد. فیلتر توری را به‌طور دوره‌ای تمیز کنید.</li> <li>• اگر برق کافی برای ماشین لباسشویی تأمین نشود، ماشین لباسشویی به‌طور موقت نمی‌تواند تخلیه یا چرخش را انجام دهد. به محض این‌که برق ماشین لباسشویی مجدداً به میزان کافی تأمین شود، فعالیت عادی خود را از سر می‌گیرد.</li> </ul>



مشکل	اقدام
<p>با دمای آب غیر صحیح پر می‌شود.</p>	<ul style="list-style-type: none"> <li>• هر دو شیر را به‌طور کامل باز کنید.</li> <li>• اطمینان حاصل کنید که انتخاب دما صحیح باشد.</li> <li>• مطمئن شوید که شلنگ‌ها به شیرهای صحیح وصل شده باشند. خطوط آب را تخلیه کنید.</li> <li>• اطمینان حاصل کنید که آبگرم‌کن طوری تنظیم شده باشد که آب گرم حداقل ۱۲۰ درجه فارنهایت (۴۹ درجه سانتی‌گراد) را در شیر تأمین کند. همچنین، ظرفیت و میزان خروجی آبگرم‌کن را بررسی کنید.</li> <li>• شلنگ‌ها را جدا و فیلتر توری را تمیز کنید. ممکن است فیلتر توری مسدود شده باشد.</li> <li>• در حین پر شدن ماشین لباسشویی، ممکن است دمای آب تغییر کند چرا که قابلیت کنترل خودکار دما، دمای آب ورودی را تغییر می‌دهد. این امر طبیعی است.</li> <li>• ممکن است در حالی که ماشین لباسشویی پر می‌شود، متوجه شوید که هنگامی که دماهای سرد یا گرم انتخاب می‌شوند، فقط آب گرم و/یا فقط آب سرد رفتن از پخش‌کننده خارج می‌شود. این وضعیت نتیجه عملکرد طبیعی قابلیت کنترل خودکار دما است. چرا که ماشین لباسشویی دمای آب را تعیین می‌کند.</li> </ul>
<p>لباس‌ها در پایان چرخه مرطوب هستند.</p>	<ul style="list-style-type: none"> <li>• از سرعت چرخش بالا یا بسیار بالا استفاده کنید.</li> <li>• برای کاهش کف کردن بیش از حد، از ماده شوینده با بهره‌وری بالا (HE) استفاده نمایید.</li> <li>• لباس‌ها خیلی کم هستند. ممکن است لباس‌های کم (یک یا دو مورد) نامتوازن شده و به‌طور کامل نچرخند.</li> <li>• مطمئن شوید که شلنگ تخلیه خم نشده یا مسدود نباشد.</li> </ul>
<p>آب نشست می‌کند.</p>	<ul style="list-style-type: none"> <li>• مطمئن شوید که درب به‌طور محکم بسته شده است.</li> <li>• اطمینان حاصل کنید که تمام اتصالات شلنگ محکم باشد.</li> <li>• اطمینان حاصل کنید که انتهای شلنگ تخلیه به‌طور صحیح و محکم به سیستم تخلیه بسته شده باشد.</li> <li>• از قرار دادن لباس‌های زیاد خودداری کنید.</li> <li>• برای جلوگیری از کف کردن بیش از حد، از ماده شوینده با بهره‌وری بالا (HE) استفاده نمایید.</li> </ul>
<p>بوی بد متصاعد می‌شود.</p>	<ul style="list-style-type: none"> <li>• کف بیش از حد در شکاف‌ها جمع شده و می‌تواند باعث ایجاد بوی بد شود.</li> <li>• به‌طور دوره‌ای چرخه‌های تمیز کردن را برای پاکسازی انجام دهید.</li> <li>• لاستیک دور درب (دیافراگم) را تمیز کنید.</li> <li>• پس از اینکه چرخه به پایان رسید، داخل ماشین لباسشویی را خشک کنید.</li> </ul>
<p>هیچ حبابی دیده نمی‌شود (فقط در مدل‌های BubbleShot).</p>	<ul style="list-style-type: none"> <li>• ممکن است وجود لباس بیش از حد حباب‌ها را مسدود کند.</li> <li>• ممکن است لباس‌های به‌شدت آلوده باعث تولید حباب نشود.</li> </ul>



مشکل	اقدام
آیا می‌توانم در هر زمان Add Door را باز کنم؟	<ul style="list-style-type: none"> <li>• Add Door را تنها زمانی می‌توان باز کرد که نشانگر  ظاهر گردد. با این حال، در موارد زیر باز نمی‌شود: <ul style="list-style-type: none"> <li>- وقتی فرایند جوشاندن یا خشک کردن در حال انجام بوده و دمای داخلی زیاد باشد</li> <li>- اگر Child Lock (قفل کودک) را به دلایل ایمنی تنظیم کرده باشید</li> <li>- زمانی که چرخه شستوی مخزن یا خشک کردن مخزن در حال انجام است که لباس اضافی را شامل نمی‌شود</li> </ul> </li> </ul>
نشانگر پخش‌کننده خودکار چشمک می‌زند. (تنها در بعضی مدل‌ها)	<ul style="list-style-type: none"> <li>• بررسی کنید که کشوی شوینده به طور صحیح بسته شده باشد. <ul style="list-style-type: none"> <li>- کشوی شوینده را باز کنید و دوباره ببندید. از بسته شدن صحیح آن مطمئن شوید.</li> </ul> </li> <li>• این اتفاق زمانی رخ می‌دهد که شوینده مایع در داخل محفظه شوینده سفت شده باشد. <ul style="list-style-type: none"> <li>- محفظه شوینده را تمیز و مسیر آن را باز کنید.</li> </ul> </li> </ul>

اگر مشکل ادامه پیدا کرد، با مرکز خدمات مشتریان Samsung در منطقه خود تماس بگیرید.

## کدهای اطلاعاتی

اگر ماشین لباسشویی کار نمی‌کند، ممکن است یک کد اطلاعاتی را در نمایشگر مشاهده کنید. جدول زیر را بررسی و پیشنهادهای ذکر شده را امتحان کنید.

کد	اقدام
4C	<p>آب تأمین نشده است.</p> <ul style="list-style-type: none"> <li>مطمئن شوید که شیرهای آب باز هستند.</li> <li>مطمئن شوید که شلنگ‌های آب مسدود نشده باشند.</li> <li>مطمئن شوید که شیرهای آب یخ نزنده باشند.</li> <li>مطمئن شوید که ماشین لباسشویی با فشار آب کافی کار می‌کند.</li> <li>مطمئن شوید که شیر آب سرد و شیر آب گرم به درستی متصل هستند.</li> <li>فیلتر توری را تمیز کنید زیرا امکان دارد مسدود شده باشد.</li> </ul> <p><b>توجه</b> </p> <p>هنگامی که ماشین لباسشویی کد «4C» را نشان می‌دهد، دستگاه تخلیه را در عرض ۳ دقیقه انجام می‌دهد. در طول این مدت، دکمه روشن/خاموش کار نمی‌کند.</p>
4C2	<ul style="list-style-type: none"> <li>اطمینان حاصل کنید که شلنگ تأمین آب سرد به‌طور محکم به شیر آب سرد وصل شده باشد.</li> <li>اگر به شیر آب گرم متصل شده باشد، ممکن است لباس‌ها در برخی از چرخه‌ها از ریخت بیفتند.</li> </ul>
5C	<p>آب تخلیه نمی‌شود.</p> <ul style="list-style-type: none"> <li>مطمئن شوید که شلنگ تخلیه یخ نزنده یا مسدود نباشد.</li> <li>اطمینان حاصل کنید که شلنگ تخلیه بسته به نوع اتصال در موقعیت صحیح قرار گرفته باشد.</li> <li>فیلتر کثافات را تمیز کنید زیرا امکان دارد مسدود شده باشد.</li> <li>اطمینان حاصل کنید که شلنگ تخلیه در مسیر اتصال به سیستم تخلیه صاف باشد.</li> <li>اگر کد اطلاعات باقی مانده است، با مرکز خدمات مشتریان تماس بگیرید.</li> </ul>
dC	<p>ماشین لباسشویی در حال کار است اما درب آن باز است.</p> <ul style="list-style-type: none"> <li>مطمئن شوید که درب به‌طور محکم بسته شده است.</li> <li>مطمئن شوید که لباس‌ها در درب گیر نکنند.</li> </ul>
DC1	<p>باز کردن/قفل کردن درب اصلی به درستی کار نمی‌کند.</p> <ul style="list-style-type: none"> <li>ماشین لباسشویی را خاموش کرده و چرخه را مجدداً شروع کنید.</li> <li>اگر کد اطلاعات باقی مانده است، با مرکز خدمات مشتریان تماس بگیرید.</li> </ul>

کد	اقدام
DC3	<p>باز کردن/قفل کردن Add Door به درستی کار نمی‌کند.</p> <ul style="list-style-type: none"> <li>ماشین لباسشویی را خاموش کرده و چرخه را مجدداً شروع کنید.</li> <li>اگر کد اطلاعات باقی مانده است، با مرکز خدمات مشتریان تماس بگیرید.</li> </ul>
OC	<p>آب سرریز کرده است.</p> <ul style="list-style-type: none"> <li>دستگاه را پس از چرخش مجدداً راه‌اندازی کنید.</li> <li>اگر کد اطلاعات بر روی نمایشگر باقی مانده است، با مرکز خدمات Samsung در منطقه خود تماس بگیرید.</li> </ul>
LC, LC1	<p>شلنگ تخلیه را بررسی کنید.</p> <ul style="list-style-type: none"> <li>اطمینان حاصل کنید که انتهای شلنگ تخلیه بر روی کف زمین قرار گیرد.</li> <li>مطمئن شوید که شلنگ تخلیه مسدود نباشد.</li> <li>اگر کد اطلاعات باقی مانده است، با مرکز خدمات مشتریان تماس بگیرید.</li> </ul> <p><b>توجه</b> </p> <p>هنگامی که ماشین لباسشویی کد «LC,LC1» را نشان می‌دهد، دستگاه تخلیه را در عرض ۳ دقیقه انجام می‌دهد. در طول این مدت، دکمه روشن/خاموش کار نمی‌کند.</p>
Ub	<p>چرخش انجام نمی‌شود.</p> <ul style="list-style-type: none"> <li>مطمئن شوید که لباس‌ها به‌طور یکنواخت توزیع شده باشند.</li> <li>مطمئن شوید که ماشین لباسشویی بر روی سطحی هموار و پایدار قرار داشته باشد.</li> <li>لباس‌ها را پخش کنید. اگر تنها لازم است که یک تکه لباس شسته شود، از قبیل یک رب دشامبر یا پوشاک جین، مکن است نتیجه چرخش نهایی قابل قبول نباشد و یک پیغام خطای «Ub» در نمایشگر نشان داده خواهد شد.</li> </ul>
3C	<p>عملکرد موتور را بررسی کنید.</p> <ul style="list-style-type: none"> <li>سعی کنید چرخه را مجدداً انجام دهید.</li> <li>اگر کد اطلاعات باقی مانده است، با مرکز خدمات مشتریان تماس بگیرید.</li> </ul>
UC	<p>لازم است کنترل الکترونیکی بررسی شود (خطای ولتاژ بیش از حد).</p> <ul style="list-style-type: none"> <li>PCB و دسته سیم را بررسی کنید.</li> <li>بررسی کنید که آیا برق به درستی تأمین می‌شود یا خیر.</li> <li>اگر کد اطلاعات باقی مانده است، با مرکز خدمات مشتریان تماس بگیرید.</li> </ul> <p>ولتاژ پایین تشخیص داده شده است</p> <ul style="list-style-type: none"> <li>بررسی کنید که آیا کابل برق به برق وصل است یا خیر.</li> <li>اگر کد اطلاعات باقی مانده است، با مرکز خدمات مشتریان تماس بگیرید.</li> </ul>





کد	اقدام
HC	<p>بررسی گرمایش دمای بالا</p> <ul style="list-style-type: none"> <li>اگر کد اطلاعات باقی مانده است، با مرکز خدمات مشتریان تماس بگیرید.</li> </ul>
1C	<p>سنسور سطح آب به درستی کار نمی‌کند.</p> <ul style="list-style-type: none"> <li>سعی کنید دستگاه را خاموش و چرخه را مجدداً انجام دهید.</li> <li>دسته سیم سنسور سطح آب را بررسی کنید.</li> <li>اگر کد اطلاعات باقی مانده است، با مرکز خدمات مشتریان تماس بگیرید.</li> </ul> <p><b>توجه</b> </p> <p>هنگامی که ماشین لباسشویی کد «1C» را نشان می‌دهد، دستگاه تخلیه را در عرض ۳ دقیقه انجام می‌دهد. در طول این مدت، دکمه روشن/خاموش کار نمی‌کند.</p>
8C	<p>سنسور MEMS به درستی کار نمی‌کند.</p> <ul style="list-style-type: none"> <li>ماشین لباسشویی را خاموش کرده و چرخه را مجدداً شروع کنید.</li> <li>اگر کد اطلاعات باقی مانده است، با مرکز خدمات مشتریان تماس بگیرید.</li> </ul>
AC	<p>ارتباطات بین PBA اصلی و فرعی را بررسی کنید.</p> <ul style="list-style-type: none"> <li>سعی کنید دستگاه را خاموش و چرخه را مجدداً انجام دهید.</li> <li>اگر کد اطلاعات باقی مانده است، با مرکز خدمات مشتریان تماس بگیرید.</li> </ul>
AC6	<p>ارتباطات بین PBA اصلی و اینورتر را بررسی کنید.</p> <ul style="list-style-type: none"> <li>بسته به وضعیت، ممکن است دستگاه به‌طور خودکار به حالت عادی برگردد.</li> <li>ماشین لباسشویی را خاموش کرده و چرخه را مجدداً شروع کنید.</li> <li>اگر کد اطلاعات باقی مانده است، با مرکز خدمات مشتریان تماس بگیرید.</li> </ul>
ddC	<p>این پیام وقتی ظاهر می‌شود که Add Door را بدون فشار دادن دکمه مکث فشار دهید. اگر این اتفاق افتاد، یکی از موارد زیر را انجام دهید:</p> <ul style="list-style-type: none"> <li>برای افزودن لباس، Add Door را فشار دهید تا به درستی بسته شود. سپس، دکمه شروع/مکث را فشار داده و دوباره تلاش کنید.</li> <li>اگر Add Door را اشتباهی فشار داده‌اید، Add Door را دوباره فشار دهید تا به درستی بسته شود. سپس، دکمه شروع/مکث را فشار دهید تا فعالیت از سر گرفته شود.</li> </ul>

اگر کد اطلاعات همچنان در نمایشگر ظاهر می‌شود، با مرکز خدمات Samsung در منطقه خود تماس بگیرید.



# مشخصات

## جدول مراقبت از پارچه

علائم زیر دستورات عمل های مراقبت از لباس را نشان می دهند. برجسب های مراقبت شامل چهار علامت به این ترتیب است: شناسایی، سفید کردن، خشک و اتو کردن و در صورت لزوم خشک شویی. استفاده از علائم موجب یکنواختی در بین تولیدکننده های پوشاک داخلی و اقلام وارد شده می شود. از دستورات عمل های برجسب مراقبت برای به حداکثر رساندن عمر لباس و کاهش مشکلات لباس شویی پیروی کنید.

اتو نشود		مواد مقاوم	
می توان با استفاده از هر محلولی خشک شویی کرد		پارچه ظریف	
خشک شویی		می توان در ۹۵ درجه سانتی گراد شست	
فقط با پریکلرید. سوخت فندک، الکل خالص ویا R۱۱۳ خشک شویی شود		می توان در ۶۰ درجه سانتی گراد شست	
فقط با سوخت هواپیما، الکل خالص ویا R۱۱۳ خشک شویی شود		می توان در ۴۰ درجه سانتی گراد شست	
خشک شویی نشود		می توان در ۳۰ درجه سانتی گراد شست	
به طور مسطح خشک شود		تنها شستن با دست	
برای خشک کردن می توان آویزان کرد		فقط خشک شویی	
بر روی رخت آویز خشک شود		می توان در آب سرد رنگبری کرد	
ماشین خشک کن با حرارت عادی		رنگبری نشود	
ماشین خشک کن با حرارت کم		می توان در حداکثر ۲۰۰ درجه سانتی گراد اتو کرد	
از خشک کن استفاده نشود		می توان در حداکثر ۱۵۰ درجه سانتی گراد اتو کرد	
		می توان در حداکثر ۱۰۰ درجه سانتی گراد اتو کرد	

## محافظت از محیط زیست

- این دستگاه با استفاده از مواد بازیابی شده تولید شده است. اگر تصمیم گرفتید که این دستگاه را به دور بیاندازید، لطفاً مقررات محلی دفع زباله را مراعات کنید. سیم برق را ببرید تا بتوان دستگاه را به منبع برق وصل کرد. دریچه را جدا کنید تا حیوانات و کودکان خردسال نتوانند در داخل دستگاه حبس شوند.
- از مقدار ماده شوینده که در دستورالعمل‌های سازنده ماده شوینده توصیه شده تجاوز نکنید.
- از محصولات پاک کردن لکه و مواد رنگبر تنها زمانی قبل از چرخه شستشو استفاده کنید که کاملاً لازم باشد.
- با ظرفیت کامل بشویید تا در مصرف آب و برق صرفه جویی شود (مقدار دقیق بستگی به برنامه ای دارد که استفاده می شود).

# مشخصات

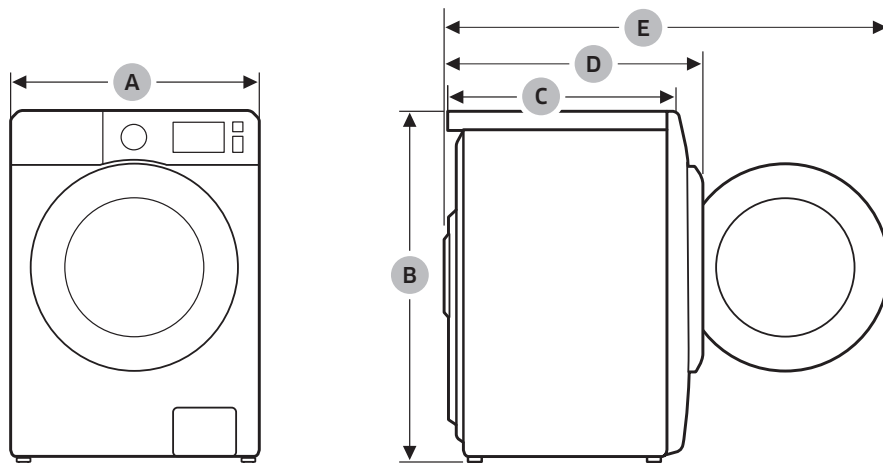
## برگه مشخصات

علامت «\*» به معنای مدل‌های مختلف بوده و می‌تواند از (۹۰۰) یا (A-Z) باشد.

ماشین لباسشویی با درب از جلو		نوع	
P156*		نام مدل	
عرض ۶۰۰ × طول ۶۰۰ × ارتفاع ۸۵۰ (میلی‌متر)		ابعاد	
۵۰ تا ۸۰۰ کیلوپاسکال		فشار آب	
۸۰ کیلوگرم		وزن خالص	
۹/۰ کیلوگرم		ظرفیت شستشو و چرخش	
۲۰۰۰ وات	۲۲۰ ولت	شستشو و گرم کردن	مصرف برق
۲۴۰۰ وات	۲۴۰ ولت		
۱۴۰۰ دور در دقیقه		میزان چرخش	

توجه 

ممکن است طراحی و مشخصات بدون اعلام قبلی و جهت بهبود کیفیت تغییر نماید.



۶۰۰ میلی‌متر	A
۸۵۰ میلی‌متر	B
۶۰۰ میلی‌متر	C
۶۹۰ میلی‌متر	D
۱۱۹۰ میلی‌متر	E

توجه 

ممکن است طراحی و مشخصات بدون اعلام قبلی و جهت بهبود کیفیت تغییر نماید.

# مشخصات

بر اساس مقررات 1061/2010 (آحادیه اروپا)

علامت «\*» به معنای مدل‌های مختلف بوده و می‌تواند از (۹۰۰) یا (A-Z) باشد.

Samsung		
P156۰	مدل	
۹,۰	کیلوگرم	ظرفیت
A+++	بازدهی انرژی	
۱۳۰	کیلووات ساعت/سال	مصرف انرژی سالانه (بر اساس ۲۲۰ چرخه شستشوی استاندارد الیاف نخی استاندارد در دمای ۶۰ و ۴۰ درجه سانتی‌گراد با بار کامل و جزئی و مصرف حالت‌های خاموش و روشن است. مصرف واقعی انرژی به نحوه استفاده از دستگاه بستگی دارد).
مصرف انرژی		
۰/۵۹	کیلووات ساعت	برنامه الیاف نخی ۶۰ درجه استاندارد با بار کامل
۰/۵۷	کیلووات ساعت	برنامه الیاف نخی ۶۰ درجه استاندارد با بار جزئی
۰/۵۵	کیلووات ساعت	برنامه الیاف نخی ۴۰ درجه استاندارد با بار جزئی
۰/۴۸	وات	مصرف برق نسبی حالت خاموش.
۱۰/۰۰	وات	مصرف برق نسبی حالت روشن.
۹۴۰۰	لیتر/سال	مصرف سالانه آب (بر اساس ۲۲۰ چرخه شستشوی استاندارد الیاف نخی استاندارد در دمای ۶۰ و ۴۰ درجه سانتی‌گراد با بار کامل و جزئی است. مصرف واقعی آب به نحوه استفاده از دستگاه بستگی دارد).
کلاس بازدهی چرخش		
A	بازدهی چرخش-خشک کردن از درجه G (کم‌بازده‌ترین) تا A (پربازده‌ترین)	
۱۴۰۰	دور در دقیقه	حداکثر سرعت چرخش
۴۴	%	رطوبت باقیمانده
برنامه‌های COTTON (الیاف نخی) ۶۰ درجه سانتی‌گراد و COTTON (الیاف نخی) ۴۰ درجه سانتی‌گراد «برنامه استاندارد الیاف نخی ۶۰ درجه سانتی‌گراد» و «برنامه استاندارد الیاف نخی ۴۰ درجه سانتی‌گراد» هستند. این برنامه‌ها مناسب البسه نخی با کثیفی متوسط هستند که (از نظر مصرف آب و انرژی) برای این نوع البسه پربازده‌ترین هستند. ممکن است دمای آب واقعی این برنامه‌ها با دمای اعلام‌شده متفاوت باشد. لطفاً حالت کالیبراسیون را پس از نصب اجرا کنید (به بخش اجرای کالیبراسیون توصیه‌شده) در صفحه <۲۶> مراجعه نمایید).		
مدت برنامه‌ها در برنامه استاندارد		
۲۱۱	دقیقه	برنامه الیاف نخی ۶۰ درجه استاندارد با بار کامل
۱۶۰	دقیقه	برنامه الیاف نخی ۶۰ درجه استاندارد با بار جزئی
۱۴۰	دقیقه	برنامه الیاف نخی ۴۰ درجه استاندارد با بار جزئی
۸	دقیقه	مدت زمان حالت روشن (TI)
صدای تولید شده به dB(A) re 1 pW و گرد شده به نزدیک‌ترین عدد صحیح در طول شستشو و چرخش برای برنامه الیاف نخی ۶۰ درجه استاندارد با بار کامل:		
۴۹	pW ۱ dB (A) re	شستشو
۷۳	pW ۱ dB (A) re	چرخش
بدون اتصال		

ممکن است مدت زمان برنامه با توجه به شرایط آب، وزن البسه و جنس آنها متفاوت باشد.

## اطلاعات چرخه‌های اصلی شستشو

مدل	دوره	دما (درجه سانتی‌گراد)	ظرفیت (کیلوگرم)	زمان چرخه (دقیقه)	میزان رطوبت باقیمانده (%)	مصرف آب (لیتر/چرخه)	مصرف انرژی (کیلووات ساعت/ چرخه)
P156*	COTTON (الیاف نخی)	۲۰	۴/۵	۷۹	۵۶	۶۰	۰/۱۲۳
	e COTTON (الیاف نخی)	۴۰	۴/۵	۱۴۰	۴۴	۶۰	۰/۵۵
		۶۰	۴/۵	۱۶۰	۴۴	۶۰	۰/۵۷
			۹/۱۰	۲۱۱	۴۴	۶۶	۰/۵۹
	SYNTHETICS (الیاف مصنوعی)	۴۰	۴/۱۰	۱۳۴	۳۵	۶۶	۰/۴۸

اطلاعات مدت چرخه شستشو تحت شرایطی اندازه‌گیری شده که در استاندارد IEC60456/EN60456 مشخص شده است. مقادیر واقعی به نحوه استفاده از دستگاه بستگی دارد.

# SAMSUNG

سؤالات یا نظراتی دارید؟

یا از وب سایت ما به نشانی زیر دیدن کنید	با این شماره تماس بگیرید	کشور
<a href="http://www.samsung.com/iran/support">www.samsung.com/iran/support</a>	021-8255 [CE] 021-42132 [HHP]	IRAN